
Real Photon Collaboration

Schedule And Project Management

6/3/02

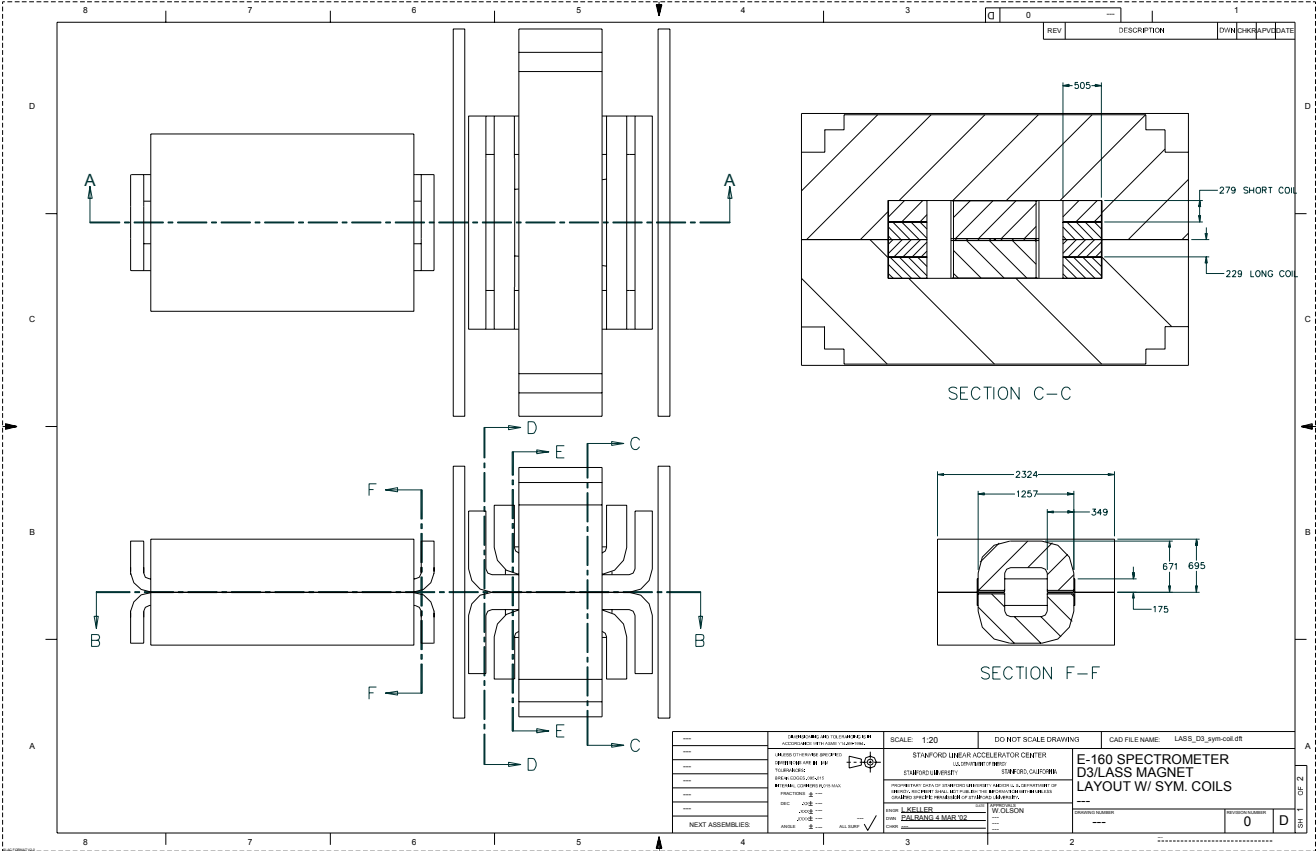
Bill Olson

RPC General Arrangement Drawing

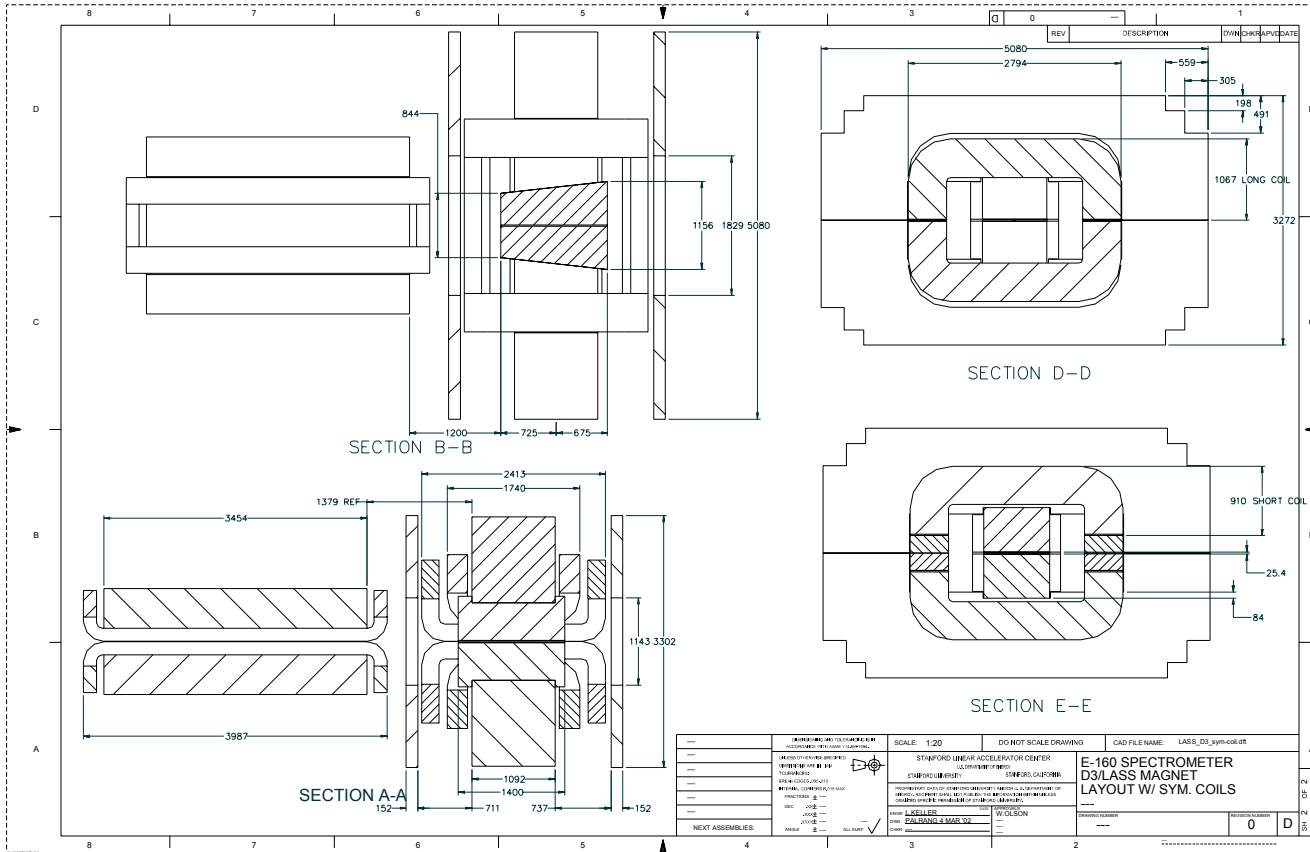
Changes to the E-158 experiment are as follows;

- Moller target is moved to in front of the Compton Polarimeter.
- LH₂ target lifted out of the beam path and vacuum barriers removed from the target chamber.
- 3DC2 will be removed and replaced with a simpler fixed bore collimator.
- New vacuum chamber and target system installed in 3D3.
- Everything between 3D3 and the 36" pipe will be removed and replaced with
 - LASS magnet with iron wedge and mirror plates
 - Hodoscopes
 - Moller target
 - 3D5 – 18D36 magnet
 - Compton Polarimeter
- Detectors removed from the cart and the Cerenkov, ION chamber, and SEQ installed.
- Shielding modifications

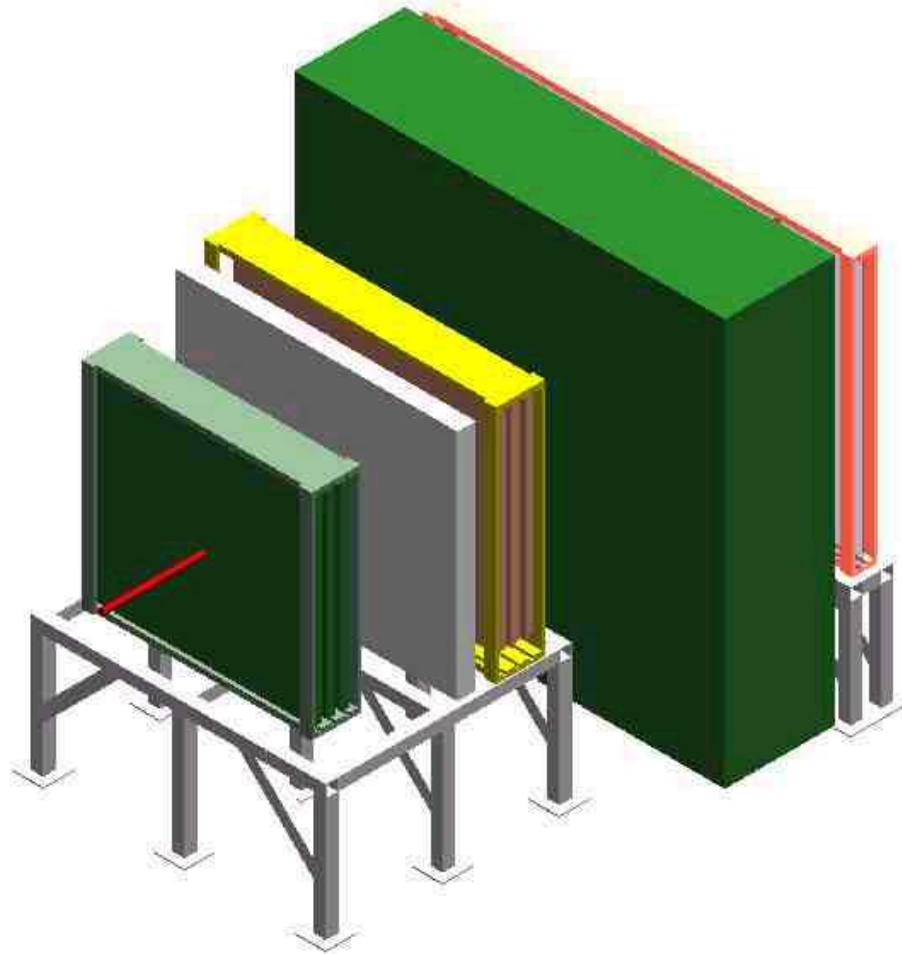
Spectrometer Magnet Arrangement



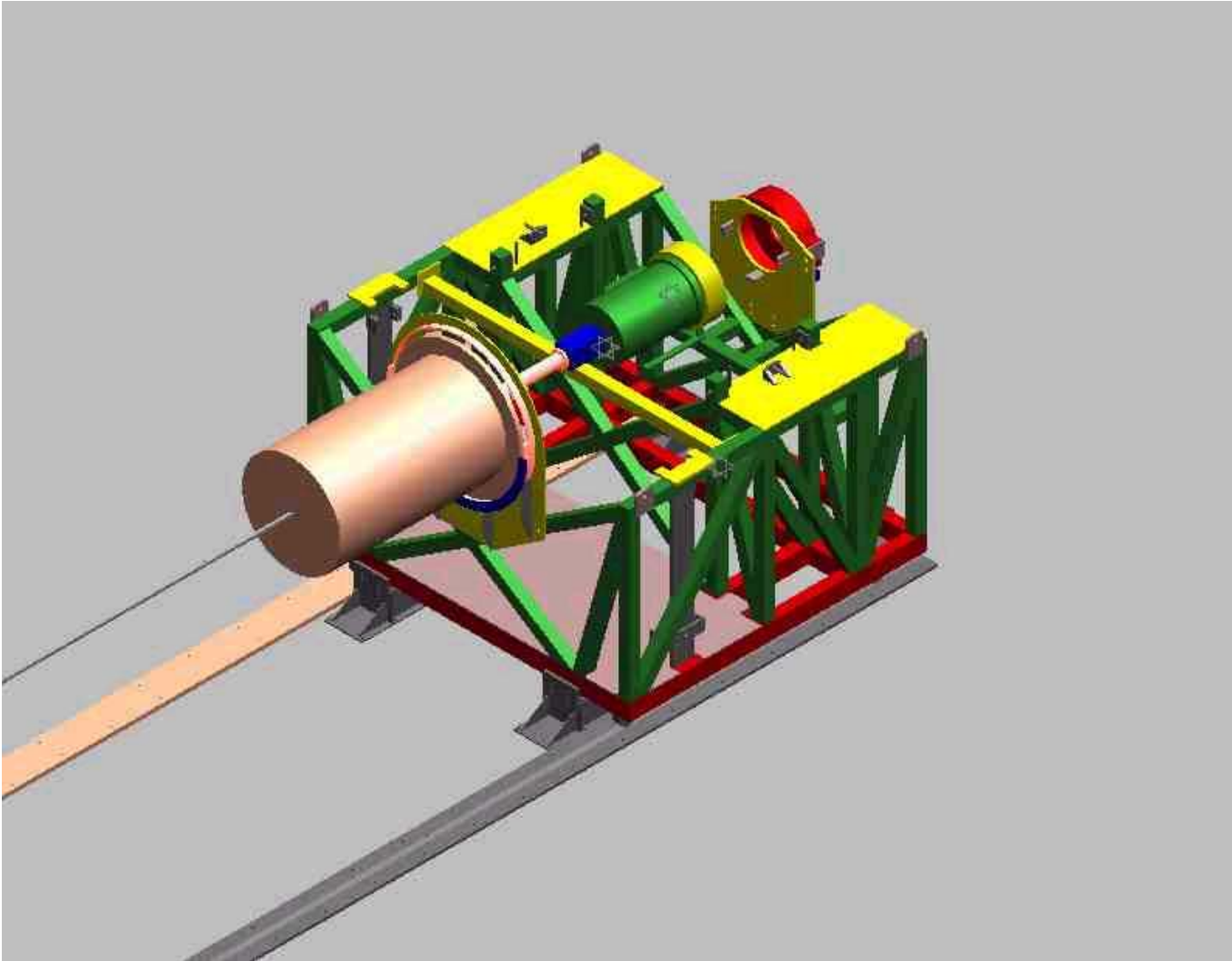
Spectrometer Magnet Arrangement



Spectrometer Detector Arrangement



Cerenkov, ION, & SEQ Arrangement



RPC Milestones

Milestone	Start	Finish
E-160 & Photon Beamline		
Concept/Preliminary Design Review (CDR)		6/20/02
Design Complete		11/30/02
Final Design Review (FDR)		12/6/02
Funding Available for Construction	10/1/03	
Construction Complete, Hardware Ready for Installation		6/30/04
Installation & Check-out Complete		3/31/05
Run E-160	4/1/05	8/6/05
E-161		
Design Complete		9/30/04
Funding Available for Construction		
Microwave Source	1/28/02	
Magnet	10/1/02	
All Other Components	10/1/04	
Installation	10/1/05	3/31/06
Run E-161	4/1/06	8/1/06
E-159		
Design Complete		9/30/05
Funding Available for Construction	10/1/05	
Installation	10/1/06	3/31/07
Run E-159	4/1/07	8/1/07

Concept/Preliminary Design Review

Presentations are to be engineering hardware oriented rather than physics oriented, and include;

- **Design requirements**
- **Design and how it meets the requirements**
- **Significant alternate design concepts considered**
- **Design factors of safety**
- **Budget**
- **Schedule**

This review establishes a “concept freeze”