

FABRICATION AND INITIAL TESTS OF AN ULTRA-HIGH GRADIENT COMPACT S-BAND (HGS) ACCELERATING STRUCTURE*

L. Faillace[#], R. Agustsson, P. Frigola, A. Murokh,
 RadiaBeam Technologies, LLC., Santa Monica, CA 90404, USA
 V. Dolgashev, Stanford Linear Accelerator Center, Menlo Park, CA 94025, USA
 J. Rosenzweig, Department of Physics and Astronomy,
 University of California, Los Angeles, CA 90095, USA
 V. Yakimenko, Brookhaven National Laboratory, Upton, NY 11973, USA

Abstract

RadiaBeam Technologies reports on the RF design and fabrication of a ultra-high gradient (50 MV/m) S-Band accelerating structure (HGS) operating in the pi-mode at 2.856 GHz. The compact HGS structure offers a drop-in replacement for conventional S-Band linacs in research and industrial applications such as drivers for compact light sources, medical and security systems. The electromagnetic design (optimization of the cell shape in order to maximize RF efficiency and minimize surface fields at very high accelerating gradients) has been carried out with the codes HFSS and SuperFish while the thermal analysis has been performed by using the code ANSYS. The initial cold tests are presented together with the plans for high-power tests currently ongoing at Lawrence Livermore National Laboratory (LLNL).

INTRODUCTION

There is growing demand from the industrial and research communities for high gradient, compact RF accelerating structures. The commonly used S-band SLAC-type 3-m structure has a practical operating gradient of only about 20 MV/m. There is significant interest in more compact high-energy linear accelerators for field applications in the areas of homeland security [1,2] and radiotherapy [3], as well as future compact drivers for free-electron lasers and Compton light sources [4].

To date, the most productive approach towards reaching higher operating gradients in linacs was to advance the technology originating in the conventional L-band and S-band devices towards higher frequencies. Significant research was performed under the NLC program to demonstrate successful high gradient operation of X-band (11.4 GHz) and Ku-band (17 GHz) [5,6]. These efforts, without doubt, will continue to expand the frontier of RF accelerator systems capabilities in the future. However, for the commercially viable linear accelerator, transitioning towards X-band and higher frequencies is not practical due to the lack of industrially available high peak power RF sources in X-band and beyond. The development of the HGS structure aims at a moderate goal of doubling the available RF gradient at S-band while taking full advantage of the mature and

commercially available S-band high power klystron technology.

RF DESIGN

The RF design of the HGS cells has been carried out with the 2D code SuperFish while the design of the whole structure, including the RF coupler, has been performed by using the 3D code HFSS. The first HGS prototype consists of 5 cells, single feed.

Operation at an accelerating gradient at 50 MV/m and above requires special attention to the minimization of surface electric and magnetic fields. The tips of the irises are areas where the surface electric field is locally very intense. Thus, in order to mitigate possible breakdowns, a thorough study of the cell shape and corresponding electric field distribution has been carried out.

A quarter section of the 5-cell HGS prototype, used for HFSS simulations, is shown in Figure 1 with the electric field distribution inside the structure. The corresponding on-axis electric field, featuring a perfect flatness, is given in Figure 2.

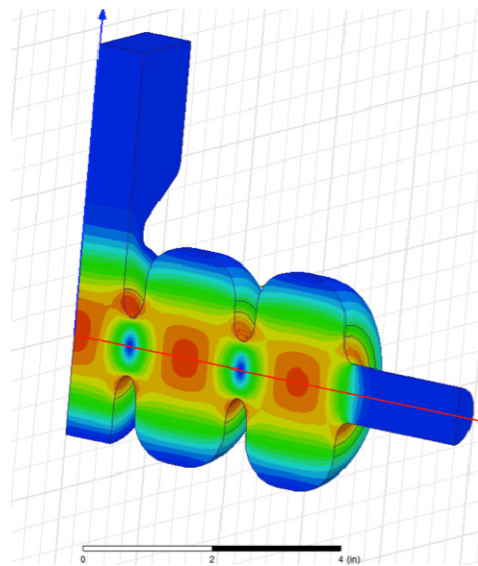


Figure 1: A quarter section of the 5-cell HGS structure; electric field distribution is shown.

*Work supported by US DOE SBIR grant # DE-SC000866
[#] faillace@radiabeam.com

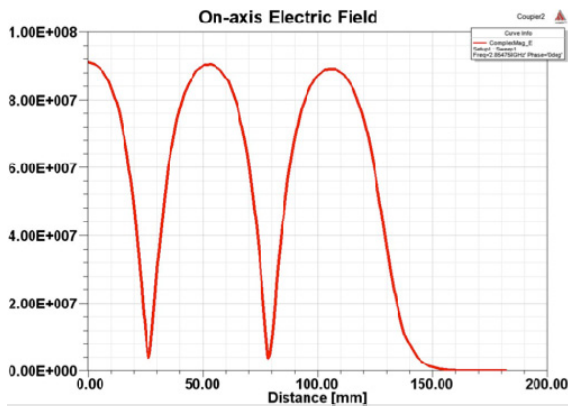


Figure 2: On-axis electric field profile for the quarter section.

An optimization process for the main RF parameters, such as quality factor and shunt impedance, has been carried out. The results are listed in Table 1. The rounding of the cell edge noticeably improves the quality factor and reduces the wall power consumption.

Table 1: Main RF Parameters

Parameter	Simulated value
f_{π}	2.856 GHz
R_S (Effective R_S)	93 M Ω /m (51 M Ω /m)
Δf	2.5 MHz
Q_0	19,500
R/Q	143.2 Ω
E_{acc}	50 mV/m
E_{max}/E_{acc}	1.8
$P_{diss}/cell$	2.4 MW

Figure 3 shows the fully engineered 3D model (with SolidWorks) of the prototype, including the 3-step taper and a water jacket brazed around the cells for frequency stabilization. Also, two vertical cooling channels are brazed along the coupler sides.

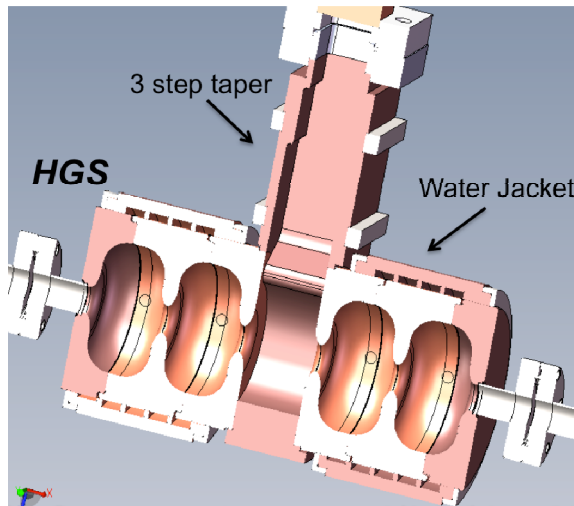


Figure 3: 3D mechanical model (SolidWorks) of the 5-cell HGS structure.

THERMAL ANALYSIS

The thermal analysis of the HGS structure has been carried out by using Ansys13. The average power that the HGS accelerator has to support during conditioning is about 600 W (15 MW max input power, pulse length up to 4 μ s and max repetition rate of 10 Hz). A quarter section of the structure has been simulated and it is shown in Figure 4. The temperature distribution is uniform throughout the whole coupler with a peak value of about 39 $^{\circ}$ C at the coupling iris.

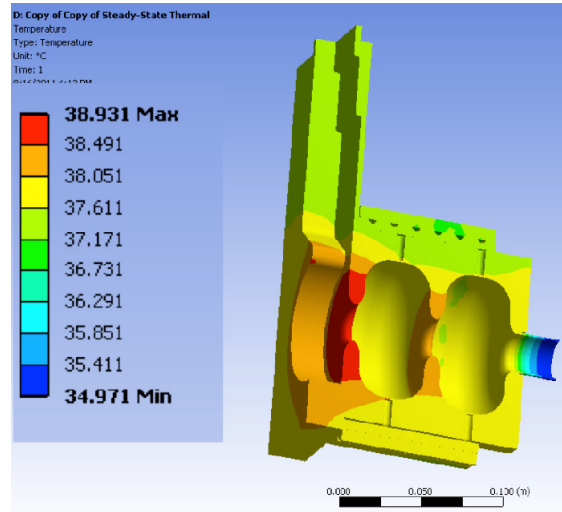


Figure 4: Temperature distribution inside the HGS.

HGS FABRICATION

The final 5-cell HGS structure has been machined and brazed, including the cooling system brazed to the structure, as shown in Figure 5.

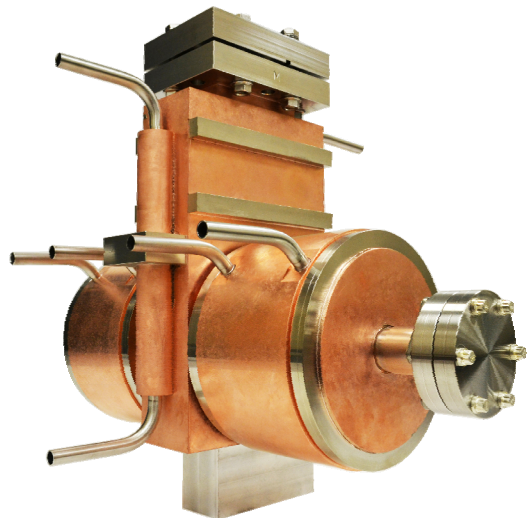


Figure 5: 5-cell HGS structure. Cooling system (frequency stabilization) is brazed to the accelerating device.

The measured reflection coefficient (showing also the coupling $\beta=1.1$ and quality factor $Q=19,000$) is given in

Figure 6, showing good agreement with the simulated values ($\beta = 1.14$ and $Q = 19,500$).

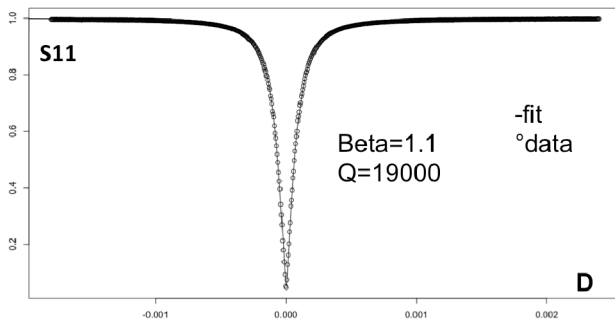


Figure 6: Measured Reflection coefficient (S11).

All the brazing steps for the HGS structure have been successfully carried out. Two water jackets are wrapped around the main cells and two separate cooling channels along the coupler. The vacuum flange used is meridian type, to accommodate LLNL RF window flange. Figure 8 shows the measured axial electric field profile obtained with bead-pull measurements. Two different perturbative methods (resonant and non-resonant) have been applied for the data acquisition. The normalized data show good agreement.

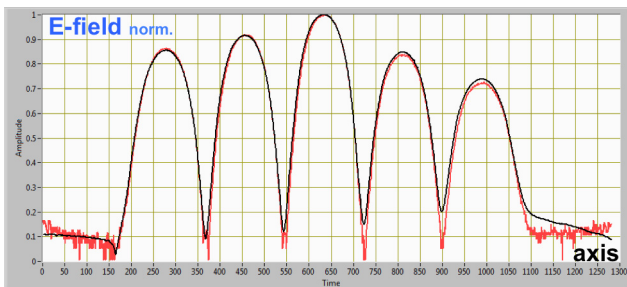


Figure 7: Axial electric field profile (bead-pull).

INSTALLATION/CONDITIONING PLAN

The high-power testing procedure at LLNL will consist of two parts: initial processing and characterization of the breakdown behavior or measurement of the breakdown rates (number of breakdowns per pulse) vs. RF power and pulse length. For initial processing, we will first set short (~100 ns) RF pulse length. We will ramp klystron power up while monitoring vacuum, radiation and RF signals for RF breakdowns and multipactoring. After a breakdown we will switch off the RF and wait for vacuum to decrease and restart the RF power ramp from low levels. After we reach full klystron power or breakdown rate of one breakdown in 100 RF pulses, we will increase pulse length by 50 ns and repeat the procedure from low power levels.

The power source is represented by a Klystron. The nominal output power is about 15 MW with a pulse length of 4 μ s. The CAD model of the high-power RF setup is shown in Figure 8.

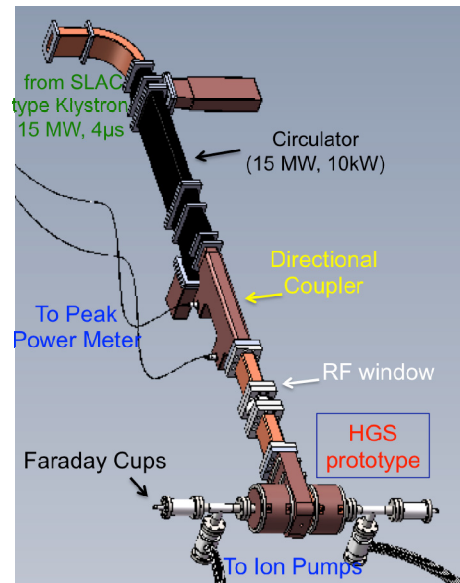


Figure 8: CAD model of the high-power RF setup.

CONCLUSIONS

In order to meet all the aspects to be concerned about when dealing with a high field environment, novel features in the geometry of the cells have been employed, such as ‘fat-lip’ coupling slot, elliptical cell-to-cell irises and rounded cell edges. The fabrication and initial cold tests of the HGS compact high-gradient accelerating structure have been successfully carried out. The high-power tests are scheduled to be performed at LLNL.

REFERENCES

- [1] J.L. Jones *et al.*, “Proof-of-Concept Assessment of a Photofission-Based Interrogation System for the Detection of Shielded Nuclear Material”, INEEL/EXT-2000-01523 (2000).
- [2] S. Boucher, P. Frigola, A. Murokh *et al.*, “Stand-off Detection of Nuclear Materials Using Inverse Compton Scattering Generated Gamma-Rays”, *Workshop on Compton Sources for X/g-Rays: Physics and Applications*, presented by G. Travish, Alghero, Italy, Sept. 2008.
- [3] N.H. Quyet, M. Uesaka, H. Iijima *et al.*, “Compact X-band (11.424 GHz) Linac for Cancer Therapy”, Proc. EPAC 2004, Lucerne, Switzerland, 2670 (2004).
- [4] H. Zen *et al.*, “Development of IR-FEL facility for energy science in Kyoto University”, *Infr. Phys. & Tech.* 51, 382 (2008).
- [5] J. Haimson, B. Mecklenburg, and E. L. Wright, “A racetrack geometry to avoid undesirable azimuthal variations of the electric field gradient in high power coupling cavities for TW structures”, *Advanced Accelerator Concepts, AIP Conference Proceedings* 398, 898 (1997).
- [6] S. Tantawi, “Accelerator Technology and High Gradient Collaboration,” Presentation, SLAC (2006).