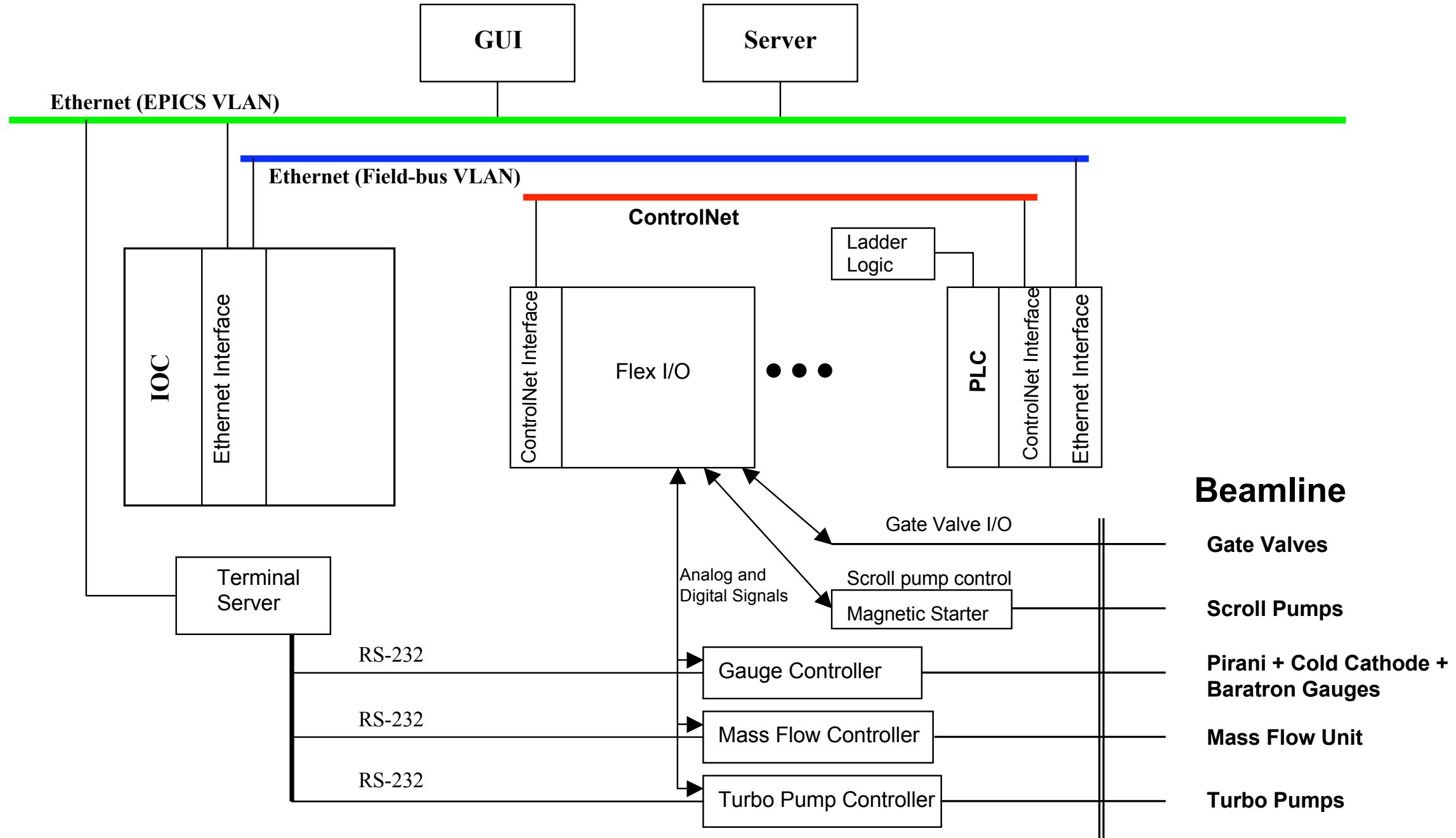
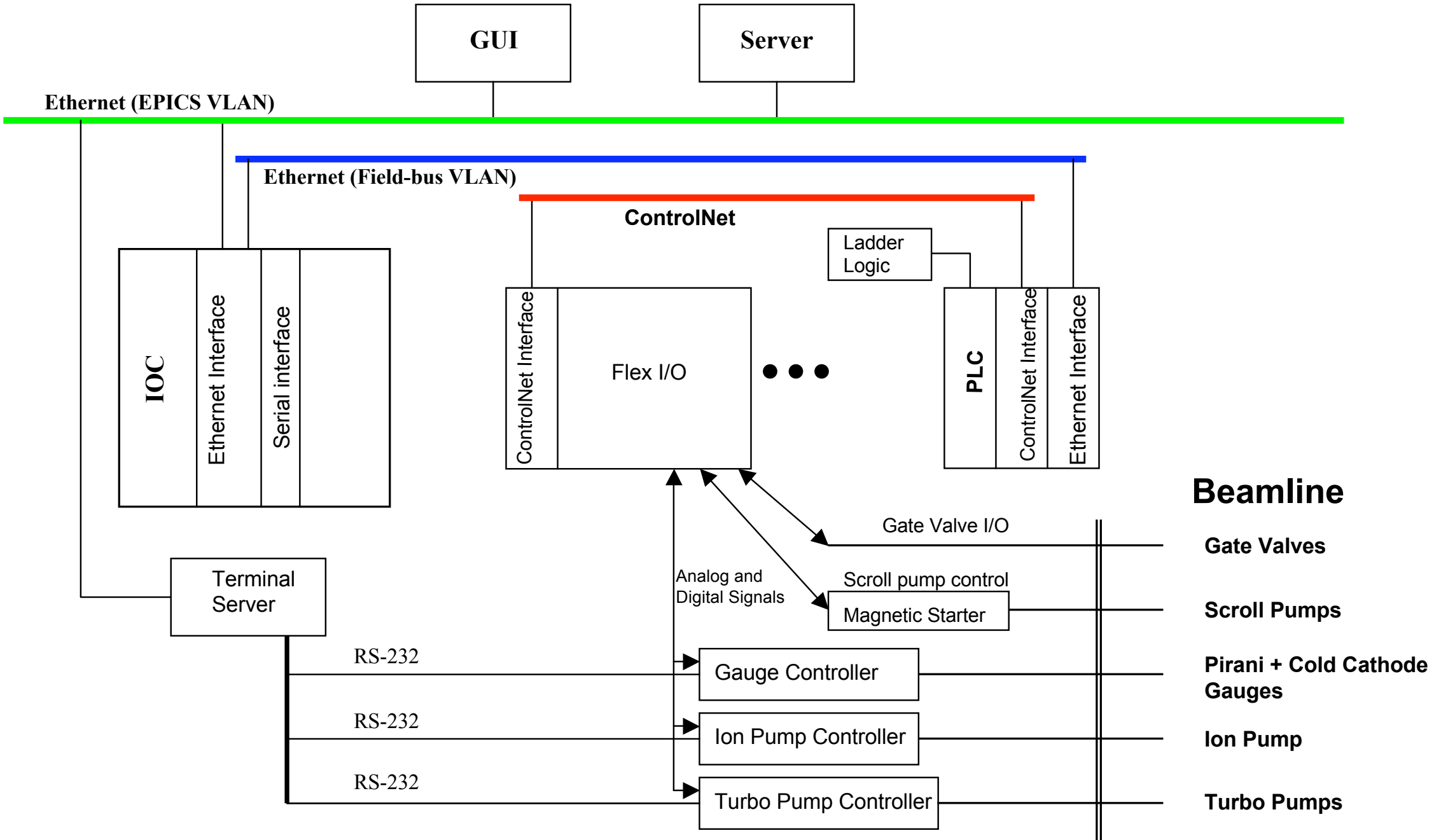


# Gas Flow Prototype



# Diagnostic Tank Prototype



# Beam-line Prototype

