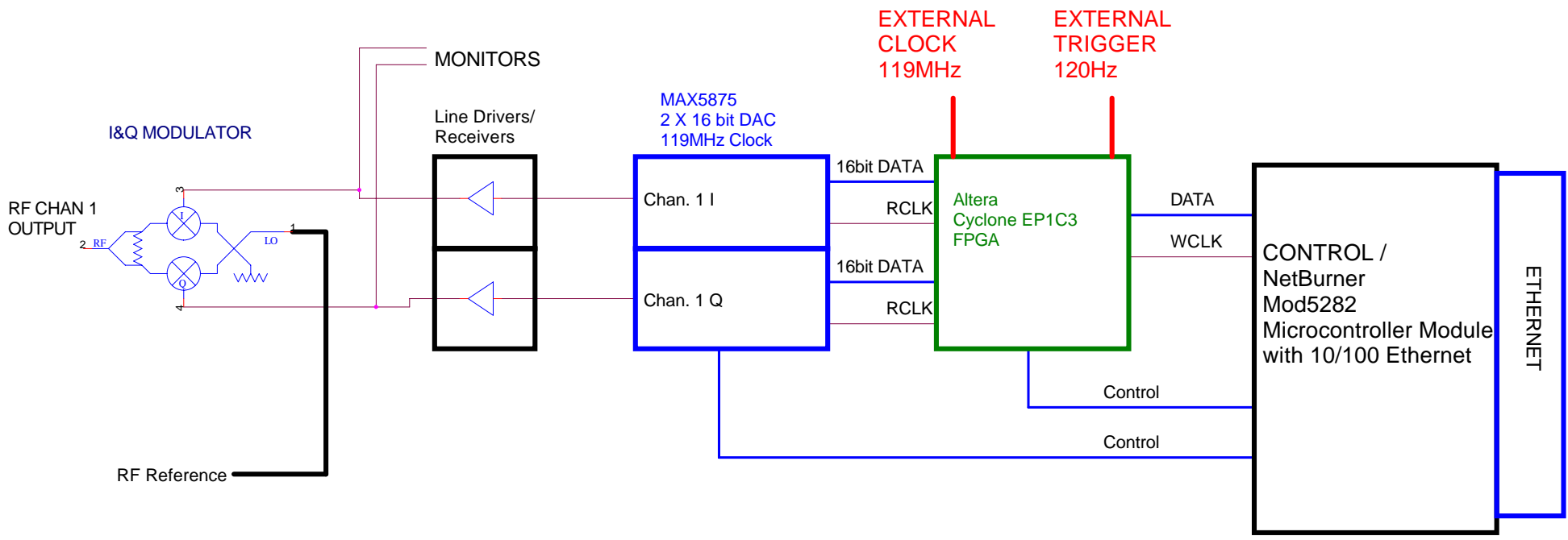


DRAFT



DRAFT

STANFORD LINEAR ACCELERATOR CENTER U.S. DEPARTMENT OF ENERGY STANFORD UNIVERSITY STANFORD, CALIFORNIA		CAD FILE: FSXXXXXXXXC0	
PROPRIETARY DATA OF STANFORD UNIVERSITY AND/OR U.S. DEPARTMENT OF ENERGY. RECIPIENT SHALL NOT PUBLISH THE INFORMATION WITHIN UNLESS GRANTED SPECIFIC PERMISSION OF STANFORD UNIVERSITY.			
ENG	R. Akre	DATE	APPROVAL
DFTR	R. Akre		
CHKR			
LAST MOD	Monday, May 16, 2005		
LINAC RF KLYSTRON RF Control System			C
FS XXX-XXX-XX-C0			