

Features

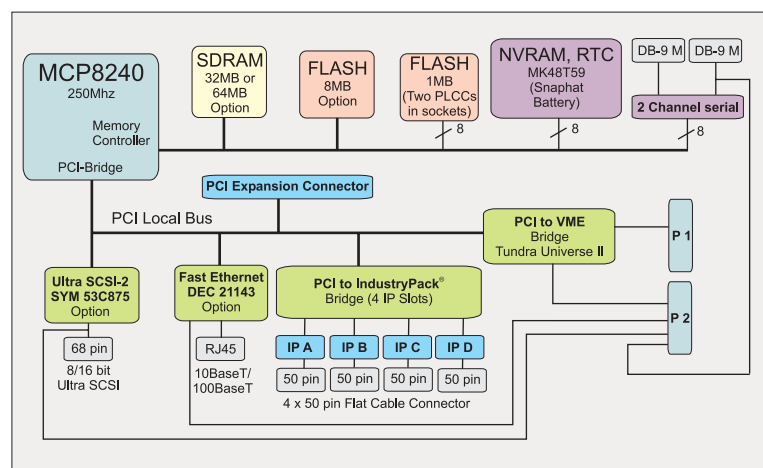
- MPC8240 CPU
- 32 MB or 64 MB SDRAM option
- Two 32-Pin PLCC/CLCC sockets for up to 1 MB boot FLASH memory (firmware)
- Four IndustryPack slots (front panel I/O)
- PCI Expansion Connector
Optional 10/100 Mb/s Ethernet interface with 32-bit PCI DMA
- Optional 8 MB FLASH memory
- Optional Ultra Wide SCSI interface with 40 MB/s and PCI DMA
- 8 KB NVRAM and TOY clock with exchangeable battery
- One asynchronous RS232 port, one asynchronous RS232/RS422 port
- On board debug monitor



The VIPC824x is an intelligent 6U VMEbus carrier board with four IndustryPack (IP) slots with front I/O, NVRAM/RTC, a highly integrated MPC8240 PowerPC™ microprocessor with an MPC603e CPU kernel, 32MB RAM, a powerful DRAM controller, and PCI interface. The combination of a MPC8240 processor and IndustryPack slots provides a powerful CPU and a modular I/O solution for applications in process control, telecommunication, medical systems and traffic control.

Options include a Fast Ethernet interface, various sizes of FLASH memory, and an Ultra SCSI interface.

Software support is available for VxWorks and Linux.



Specifications

Form Factor	VMEbus board, 6U
FLASH Memory	1MB 8-bit wide socket Boot FLASH; 8MB 64-bit wide onboard memory FLASH
System Memory	32/64MB (option) 64-bit wide synchronous DRAM
IndustryPack Interface	Four single-size or two double-size modules (16 bit) supported; 8 MHz / 32 MHz selectable for each slot; front I/O
PCI Expansion Capability	PMCSpan support
NVRAM & RTC	8KB (M48T59 device)
Asynchronous Serial Interface	One RS232 port (DB9, VME P2) One RS232/RS422 adapter port (DB9, VME P2); RS232 default
Miscellaneous	RESET switch ABORT switch Front panel status indicators
LAN Interface Option	21143 10/100 Mb/s Ethernet controller; 21143 MII port & LXT970 Fast Ethernet transceiver for RJ45 10/100BaseTX; 21143 AUI port for VME P2 10BaseT
SCSI Interface Option	SYM53C875 SCSI controller 16-bit Ultra SCSI on front I/O 8-bit Ultra SCSI on VME P2 I/O
Environmental	Operating temperature: 0° to +50° C Humidity: 5% to 95% non-condensing Storage: -40° to +85° C

Ordering Information

VIPC8241	6U VME 4-slot IP carrier, MPC8240-250MHz, 32MB SDRAM, Ethernet
VIPC8242	6U VME 4-slot IP carrier, MPC8240-250MHz, 32MB SDRAM, 1 + 8MB FLASH
VIPC8243	6U VME 4-slot IP carrier, MPC8240-250MHz, 64MB SDRAM, 1 + 8MB FLASH, Ethernet
VIPC8244	6U VME 4-slot IP carrier, MPC8240-250MHz, 64MB SDRAM, 1 + 8MB FLASH, Ethernet, SCSI
TCD640240	VxWorks Board Support Package
TCD640280	Linux Board Support Package

Corporate Headquarters

2400 Louisiana Blvd. NE, #5-600
Albuquerque, NM 87110-4316
Tel 505.875.0600 Fax 505.875.0400
Email info@sbs.com

European Headquarters

Memminger Str. 14
D-86159 Augsburg, Germany
Tel +49-821-5034-0 Fax +49-821-5034-119
Email sales@sbs-europe.com

Specifications subject to change without notice. All trademarks and logos are property of their respective owners.
©2003 SBS Technologies, Inc. 20030717

For additional contact information, please visit our web site at www.sbs.com

