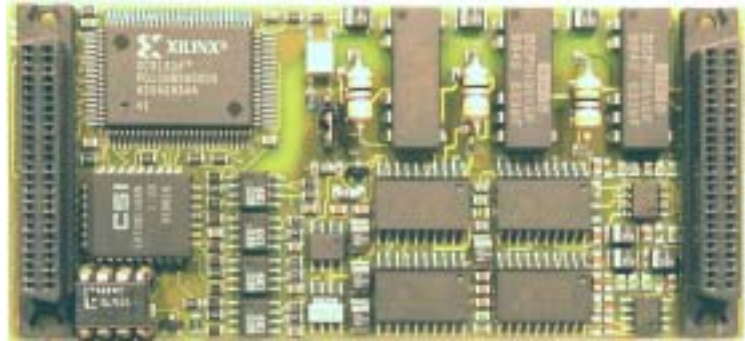


Features

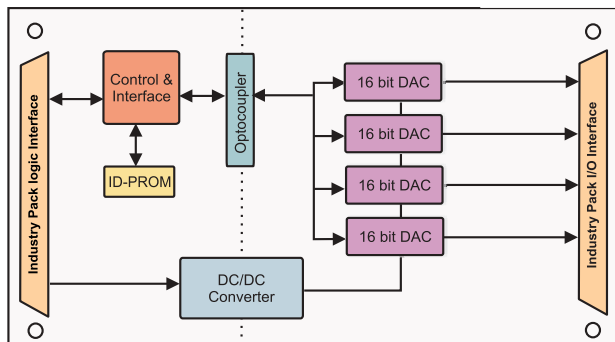
- Interface according to IndustryPack specification
- Identification-PROM supports auto-configuration
- Single Size IndustryPack
- 4 channels of isolated 16-bit analog output
- Full-scale output range +/- 10 V or 0-10V selectable by jumper
- Factory calibrated, calibration information in Identification-PROM unique to each IP



IP-OPTODA16CH4

IP-OPTODA16CH4 is an IndustryPack® compatible module providing 4 channels of isolated 16-bit analog outputs. Settling time to 0.003% is 10µs typical. The programmable output voltage range is +/-10V or 0-10V selectable by jumper. The DAC clears to 0V in both unipolar and bipolar output. The isolated DAC and the output buffer are powered by an on board DC/DC converter.

Each IP-OPTODA16CH4 is factory calibrated. The calibration information is stored in the Identification-PROM unique to each IP.



Specifications

Form Factor	Singlewide IndustryPack
Environmental	Operating temperature: -40° to +85°C Humidity: 5 to 95% non-condensing Storage: -40 to +85°C

Software Support Available from SBS

Driver Model #	Operating System
TCD642551	VxWorks
TCD662551	Windows NT 4.0
TCD692551	QNX 4.0
TCD695551	Neutrino QNX6

Corporate Headquarters

2400 Louisiana Blvd. NE, #5-600
Albuquerque, NM 87110-4316
Tel 505.875.0600 Fax 505.875.0400
Email info@sbs.com

European Headquarters

Memminger Str. 14
D-86159 Augsburg, Germany
Tel +49-821-5034-0 Fax +49-821-5034-119
Email sales@sbs-europe.com

Specifications subject to change without notice. All trademarks and logos are property of their respective owners.
©2003 SBS Technologies, Inc. 20030410

For additional contact information, please visit our web site at www.sbs.com

