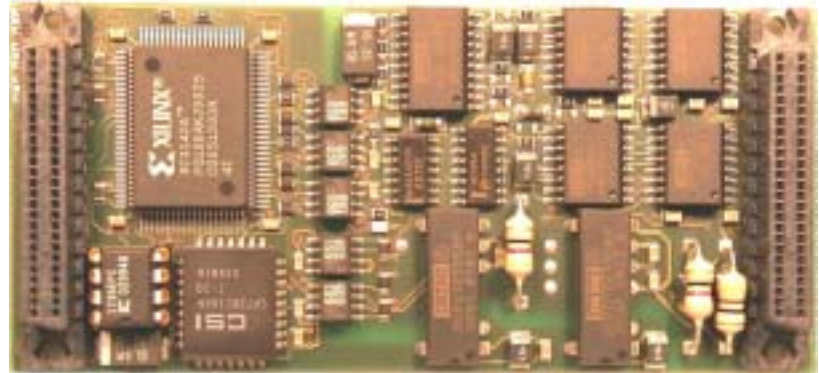


Features

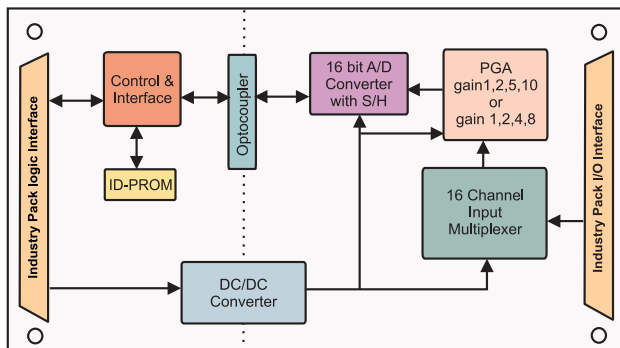
- Interface according to IndustryPack specification
- Identification-PROM supports auto-configuration
- Single Size IndustryPack
- 16 single-ended or 8 differential channels of isolated 16 bit A/D conversion
- ESD protected input multiplexer
- Programmable gain amplifier, gain 1, 2, 5, 10 or gain 1, 2, 4, 8
- 16 bit A/D converter with internal S/H and reference
- Full-scale input range +/- 10 V or 0-10V (gain = 1)
- Interrupt capability at end-of-conversion
- Factory calibrated, calibration information in Identification-PROM unique to each IP



IP-OPTOADC16BPV1

IP-OPTOADC16BPV1 is an IndustryPack® compatible module providing 16 single-ended or 8 differential channels of isolated 16 bit A/D conversion. The data acquisition and conversion time is up to 12µs without channel / gain change and up to 14.5µs with channel / gain change.

The input multiplexer offers analog overvoltage protection of up to 70Vpp. A programmable gain amplifier allows gains of 1, 2, 5, 10 or 1, 2, 4, 8. The full-scale input range is +/-10V for this IP. The isolated ADC, programmable gain amplifier and multiplexer are powered by an on board DC/DC converter. An interrupt can be generated at end-of-conversion supporting an 8 bit vector. Each IP-OPTOADC16BPV1 is factory calibrated. The calibration information is stored in the Identification-PROM unique to each IP.



Specifications

Form Factor	Singlewide IndustryPack
Environmental	Operating temperature: -40° to +85°C Humidity: 5 to 95% non-condensing Storage: -40° to +85°C

Software Support Available from SBS

Driver Model #	Operating System
TCD642501	VxWorks
TCD662501	Windows NT 4.0
TCD672501	LynxOS
TCD682501	Linux

Corporate Headquarters

2400 Louisiana Blvd. NE, #5-600
Albuquerque, NM 87110-4316
Tel 505.875.0600 Fax 505.875.0400
Email info@sbs.com

European Headquarters

Memminger Str. 14
D-86159 Augsburg, Germany
Tel +49-821-5034-0 Fax +49-821-5034-119
Email sales@sbs-europe.com

Specifications subject to change without notice. All trademarks and logos are property of their respective owners.
©2003 SBS Technologies, Inc. 20030528

For additional contact information, please visit our web site at www.sbs.com

