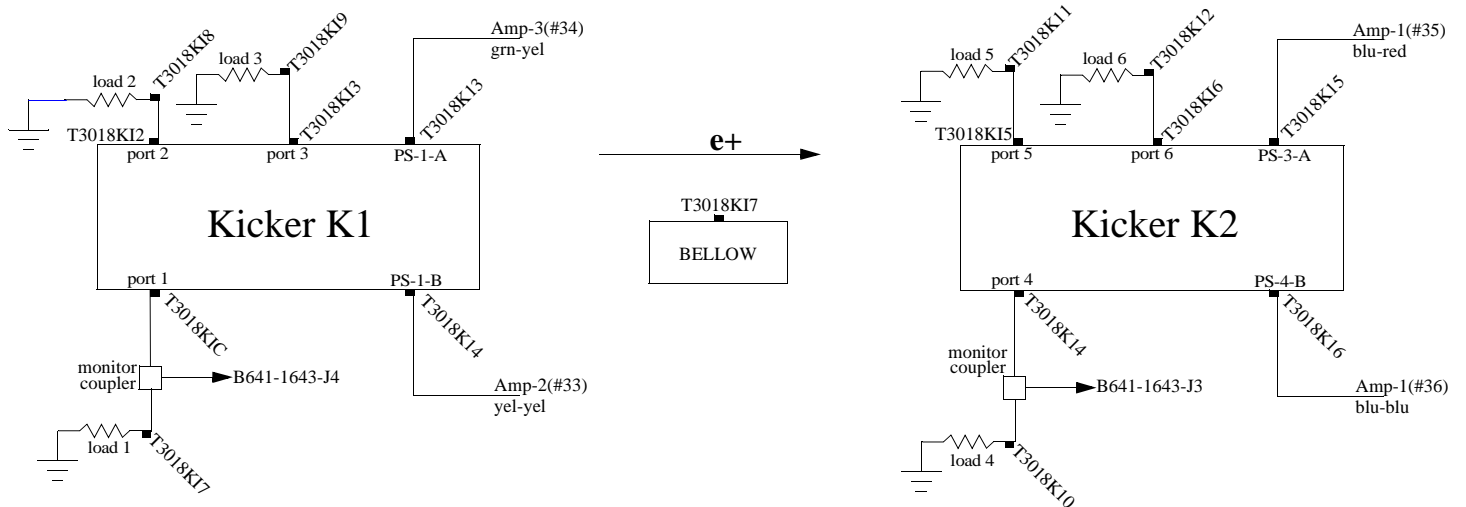


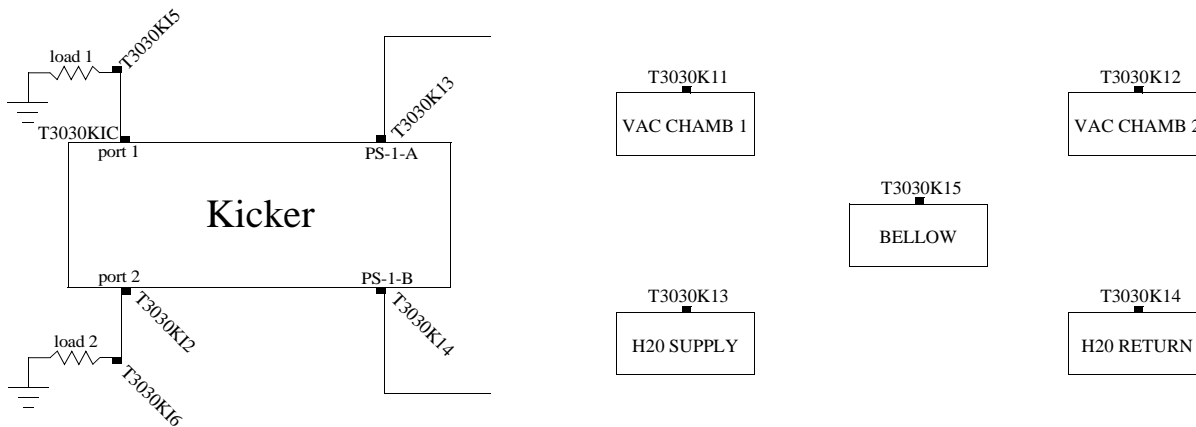
LER Longitudinal Thermocouple Mapping

TC Name	Cable Number	Location	CAMAC Channel
T3018KIC	RP07068	Load Port 1 K1	PR04-CR03-S03-CH16
T3018KI2	RP26091	Load Port 2 K1	PR04-CR03-S13-CH16
T3018KI3	RP26092	Load Port 3 K1	PR04-CR03-S13-CH17
T3018KI4	RP26093	Load Port 4 K2	PR04-CR03-S13-CH18
T3018KI5	RP26094	Load Port 5 K2	PR04-CR03-S13-CH19
T3018KI6	RP26095	Load Port 6 K2	PR04-CR03-S13-CH20
T3018KI7	RP26096	Load 1	PR04-CR03-S13-CH21
T3018KI8	RP26097	Load 2	PR04-CR03-S13-CH22
T3018KI9	RP26098	Load 3	PR04-CR03-S13-CH23
T3018K10	RP26099	Load 4	PR04-CR03-S13-CH24
T3018K11	RP26100	Load 5	PR04-CR03-S13-CH25
T3018K12	RP26101	Load 6	PR04-CR03-S13-CH26
T3018K13	RP26102	PS-1-A	PR04-CR03-S13-CH27
T3018K14	RP26103	PS-2-B	PR04-CR03-S13-CH28
T3018K15	RP26104	PS-3-A	PR04-CR03-S13-CH29
T3018K16	RP26105	PS-4-B	PR04-CR03-S13-CH30
T3018K17	RP07069	BELLOW	PR04-CR03-S03-CH17



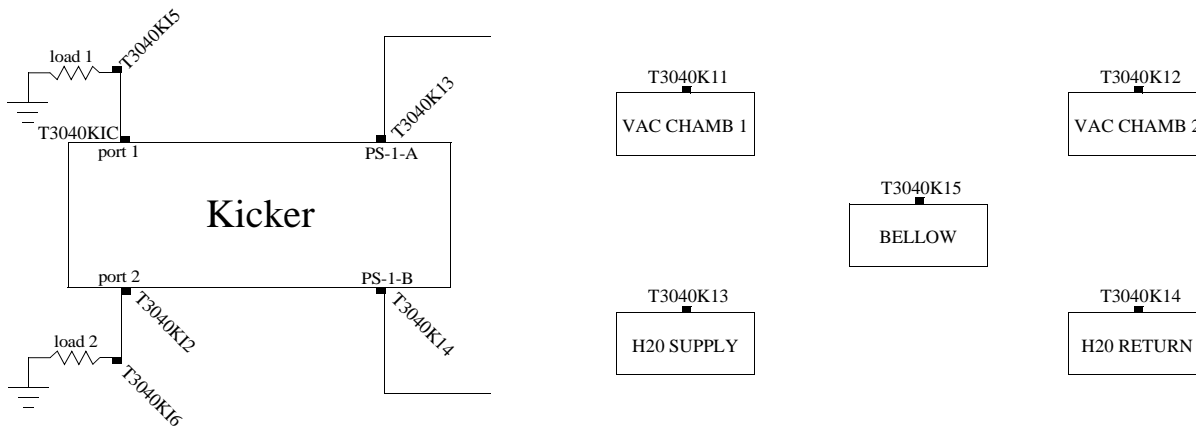
LER Transverse 'Y' Thermocouple Mapping

TC Name	Cable Number	Location	CAMAC Channel
T3030KIC	RP07072	Load Port 1	PR04-CR03-S03-CH20
T3030KI2	RP26106	Load Port 2	PR04-CR03-S14-CH00
T3030KI3	RP26107	Load Port 3	PR04-CR03-S14-CH01
T3030KI4	RP26108	Load Port 4	PR04-CR03-S14-CH02
T3030KI5	RP26109	Load 1	PR04-CR03-S14-CH03
T3030KI6	RP26110	Load 2	PR04-CR03-S14-CH04
T3030KI7	RP26111	Load 3	PR04-CR03-S14-CH05
T3030KI8	RP26112	Load 4	PR04-CR03-S14-CH06
T3030KI9	RP26113	PS-1-A	PR04-CR03-S14-CH07
T3030K10	RP26114	PS-1-B	PR04-CR03-S14-CH08
T3030K11	RP26115	VAC CHAMB 1	PR04-CR03-S14-CH09
T3030K12	RP26116	VAC CHAMB 2	PR04-CR03-S14-CH10
T3030K13	RP26117	H2O SUPPLY	PR04-CR03-S14-CH11
T3030K14	RP26118	H2O RETURN	PR04-CR03-S14-CH12
T3030K15	RP07073	BELLOW	PR04-CR03-S03-CH21



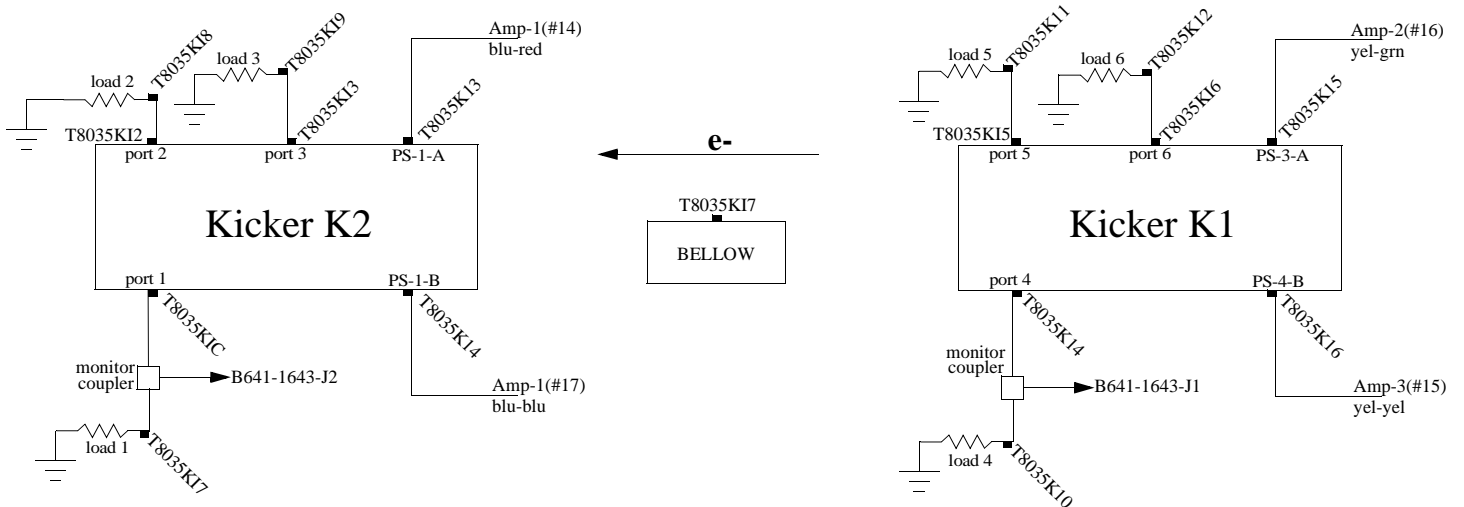
LER Transverse 'X' Thermocouple Mapping

TC Name	Cable Number	Location	CAMAC Channel
T3040KIC	RP07074	Load Port 1	PR04-CR03-S03-CH22
T3040KI2	RP26119	Load Port 2	PR04-CR03-S14-CH16
T3040KI3	RP26120	Load Port 3	PR04-CR03-S14-CH17
T3040KI4	RP26121	Load Port 4	PR04-CR03-S14-CH18
T3040KI5	RP26122	Load 1	PR04-CR03-S14-CH19
T3040KI6	RP26123	Load 2	PR04-CR03-S14-CH20
T3040KI7	RP26124	Load 3	PR04-CR03-S14-CH21
T3040KI8	RP26125	Load 4	PR04-CR03-S14-CH22
T3040KI9	RP26126	PS-1-A	PR04-CR03-S14-CH23
T3040K 10	RP26127	PS-1-B	PR04-CR03-S14-CH24
T3040K 11	RP26128	VAC CHAMB 1	PR04-CR03-S14-CH25
T3040K 12	RP26129	VAC CHAMB 2	PR04-CR03-S14-CH26
T3040K 13	RP26130	H2O SUPPLY	PR04-CR03-S14-CH27
T3040K 14	RP26131	H2O RETURN	PR04-CR03-S14-CH28
T3040K 15	RP07075	BELLOW	PR04-CR03-S03-CH23



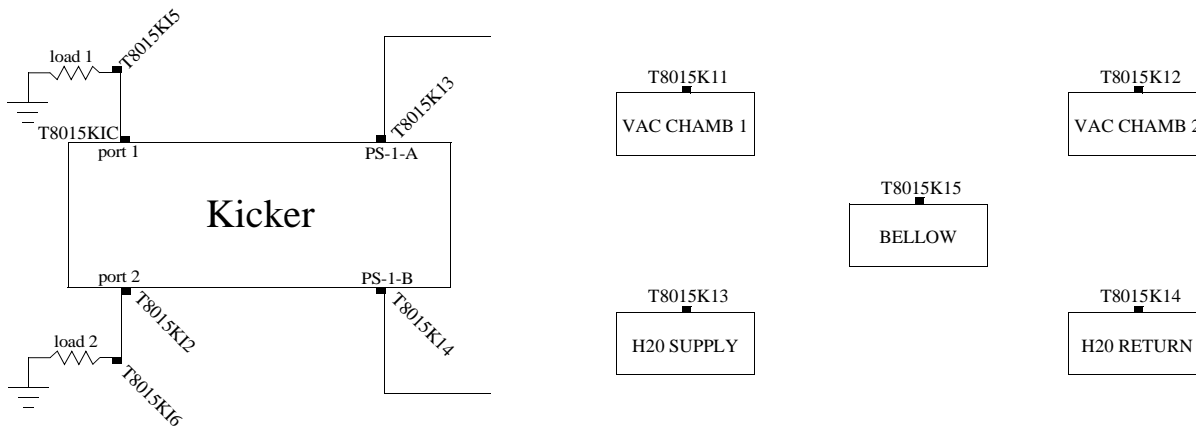
HER Longitudinal Thermocouple Mapping

TC Name	Cable Number	Location	CAMAC Channel
T8035KIC	RP07054	K1 Port 1	PR04-CR03-S02-CH29
T8035KI2	RP26076	K1 Port 2	PR04-CR03-S13-CH00
T8035KI3	RP26077	K1 Port 3	PR04-CR03-S13-CH01
T8035KI4	RP26078	K12 Port 4	PR04-CR03-S13-CH02
T8035KI5	RP26079	K2 Port 5	PR04-CR03-S13-CH03
T8035KI6	RP26080	K2 Port 6	PR04-CR03-S13-CH04
T8035KI7	RP26081	Load 1	PR04-CR03-S13-CH05
T8035KI8	RP26082	Load 2	PR04-CR03-S13-CH06
T8035KI9	RP26083	Load 3	PR04-CR03-S13-CH07
T8035K10	RP26084	Load 4	PR04-CR03-S13-CH08
T8035K11	RP26085	Load 5	PR04-CR03-S13-CH09
T8035K12	RP26086	Load 6	PR04-CR03-S13-CH10
T8035K13	RP26087	PS-1-A	PR04-CR03-S13-CH11
T8035K14	RP26088	PS-2-B	PR04-CR03-S13-CH12
T8035K15	RP26089	PS-3-A	PR04-CR03-S13-CH13
T8035K16	RP26090	PS-4-B	PR04-CR03-S13-CH14
T8035K17	RP07055	BELLOW	PR04-CR03-S02-CH30



HER Transverse 'Y' Thermocouple Mapping

TC Name	Cable Number	Location	CAMAC Channel
T8015KIC	RP07050	Load Port 1	PR04-CR03-S02-CH25
T8015KI2	RP26050	Load Port 2	PR04-CR03-S12-CH00
T8015KI3	RP26051	Load Port 3	PR04-CR03-S12-CH01
T8015KI4	RP26052	Load Port 4	PR04-CR03-S12-CH02
T8015KI5	RP26053	Load 1	PR04-CR03-S12-CH03
T8015KI6	RP26054	Load 2	PR04-CR03-S12-CH04
T8015KI7	RP26055	Load 3	PR04-CR03-S12-CH05
T8015KI8	RP26056	Load 4	PR04-CR03-S12-CH06
T8015KI9	RP26057	PS-1-A	PR04-CR03-S12-CH07
T8015K10	RP26058	PS-1-B	PR04-CR03-S12-CH08
T8015K11	RP26059	VAC CHAMB 1	PR04-CR03-S12-CH09
T8015K12	RP26060	VAC CHAMB 2	PR04-CR03-S12-CH10
T8015K13	RP26061	H2O SUPPLY	PR04-CR03-S12-CH11
T8015K14	RP26062	H2O RETURN	PR04-CR03-S12-CH12
T8015K15	RP27051	BELLOW	PR04-CR03-S02-CH26



HER Transverse 'X' Thermocouple Mapping

TC Name	Cable Number	Location	CAMAC Channel
T8025KIC	RP27052	Load Port 1	PR04-CR03-S02-CH27
T8025KI2	RP26063	Load Port 2	PR04-CR03-S12-CH16
T8025KI3	RP26064	Load Port 3	PR04-CR03-S12-CH17
T8025KI4	RP26065	Load Port 4	PR04-CR03-S12-CH18
T8025KI5	RP26066	Load 1	PR04-CR03-S12-CH19
T8025KI6	RP26067	Load 2	PR04-CR03-S12-CH20
T8025KI7	RP26068	Load 3	PR04-CR03-S12-CH21
T8025KI8	RP26069	Load 4	PR04-CR03-S12-CH22
T8025KI9	RP26070	PS-1-A	PR04-CR03-S12-CH23
T8025K 10	RP26071	PS-1-B	PR04-CR03-S12-CH24
T8025K 11	RP26072	VAC CHAMB 1	PR04-CR03-S12-CH25
T8025K 12	RP26073	VAC CHAMB 2	PR04-CR03-S12-CH26
T8025K 13	RP26074	H2O SUPPLY	PR04-CR03-S12-CH27
T8025K 14	RP26075	H2O RETURN	PR04-CR03-S12-CH28
T8025K 15	RP07053	BELLOW	PR04-CR03-S02-CH28

