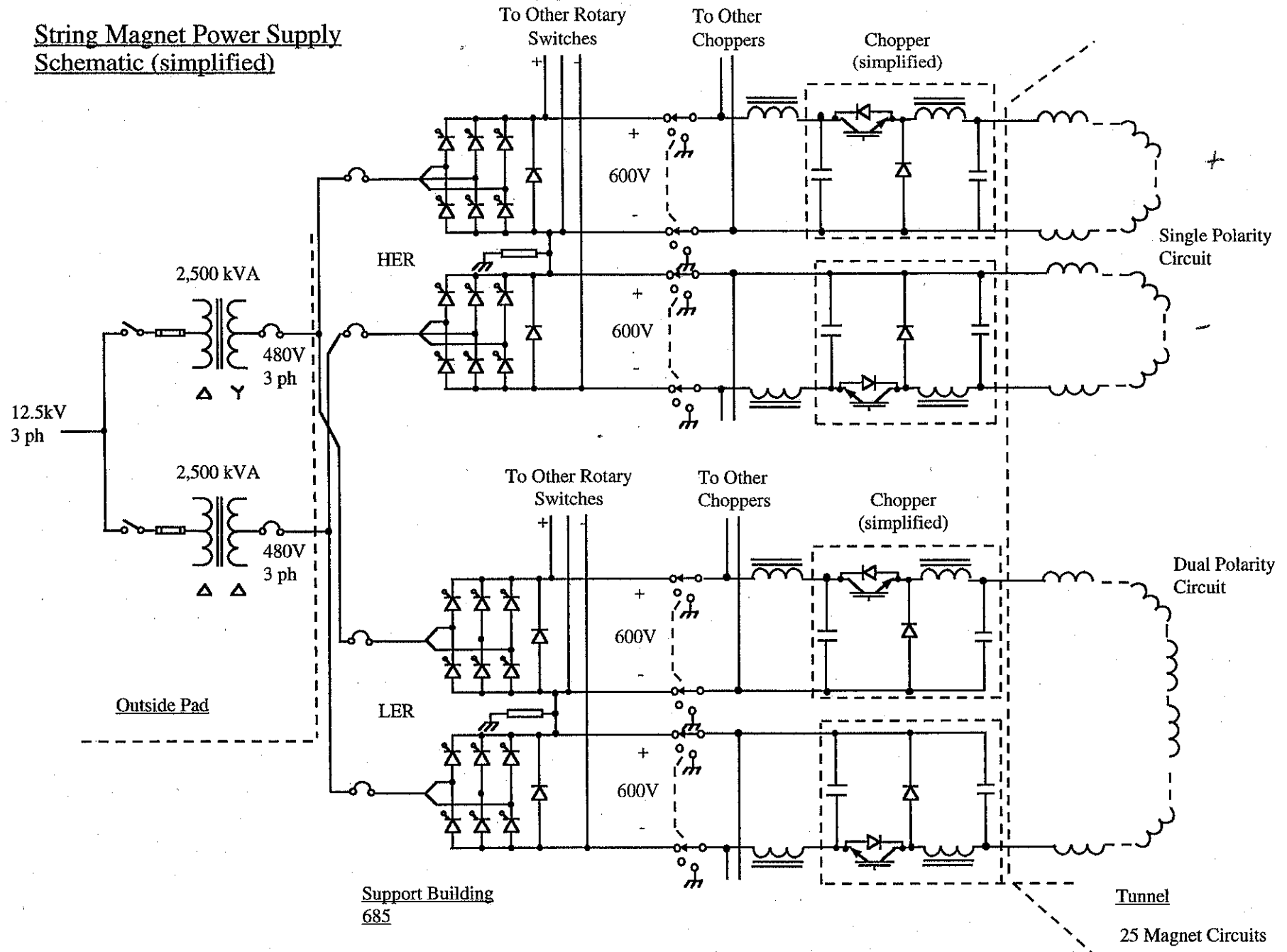
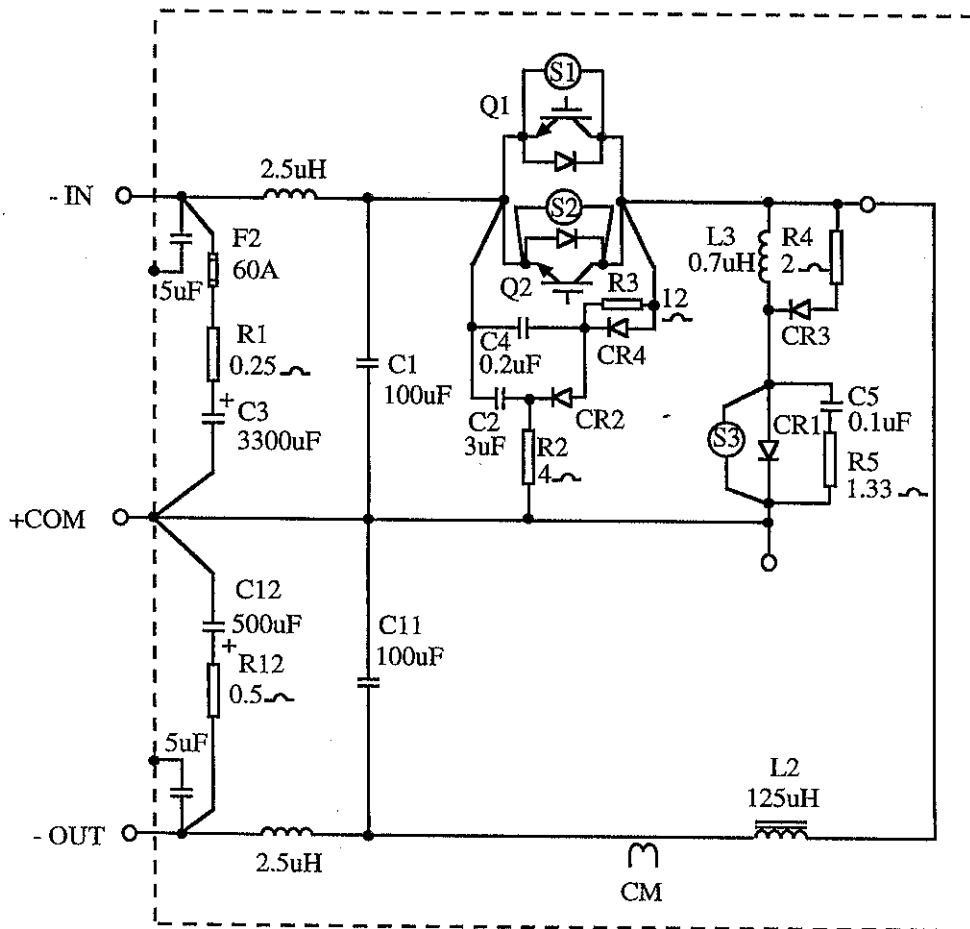


String Magnet Power Supply  
Schematic (simplified)

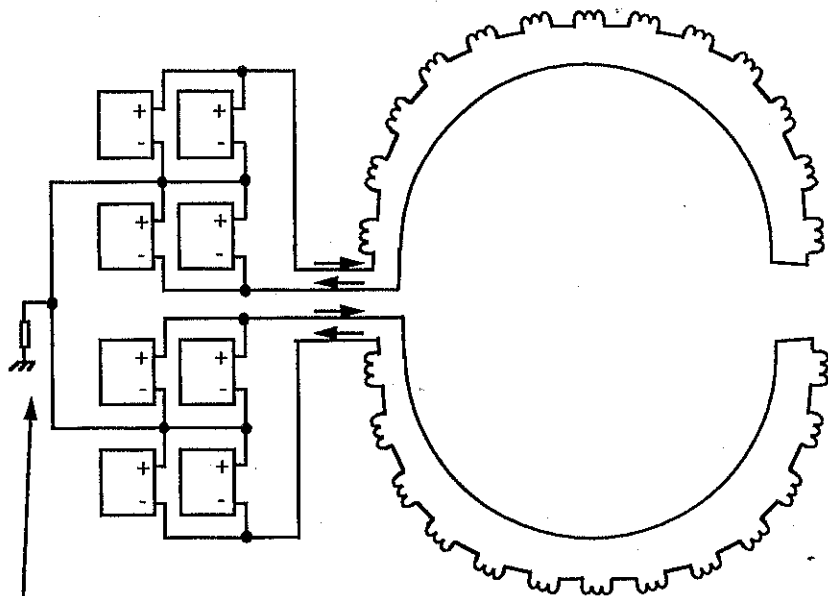




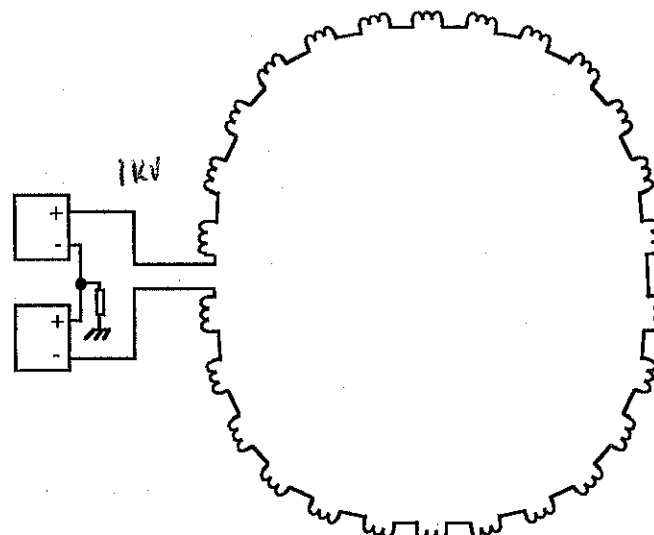
Note: S1, S2, and S3 are 10 ohm, 0.0033 uF snubbers

Negative Polarity

## String Magnet Power Supplies - HER Circuits

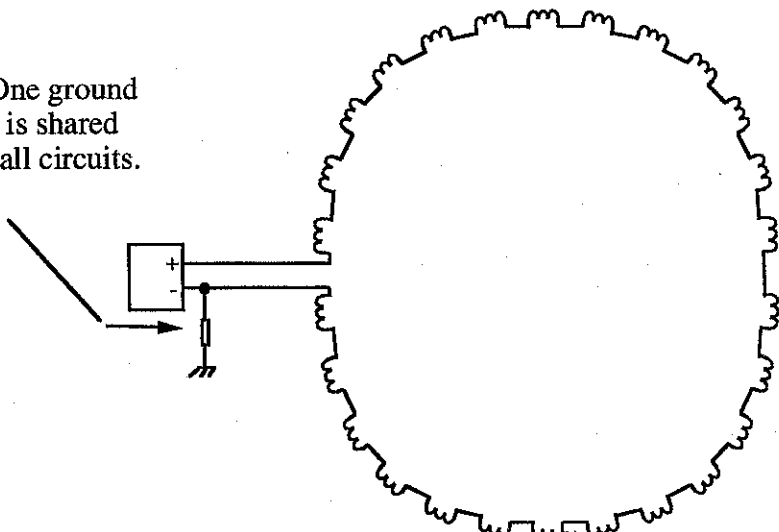


HER B1 & B2

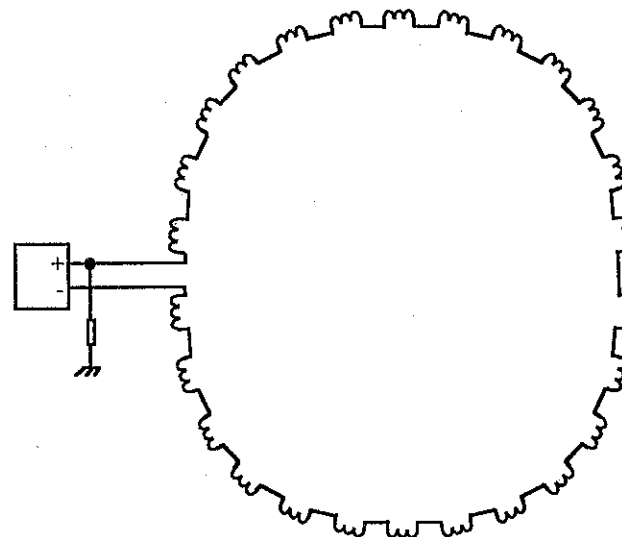


HER QF/QF90, QD/QD90

Note: One ground resistor is shared among all circuits.

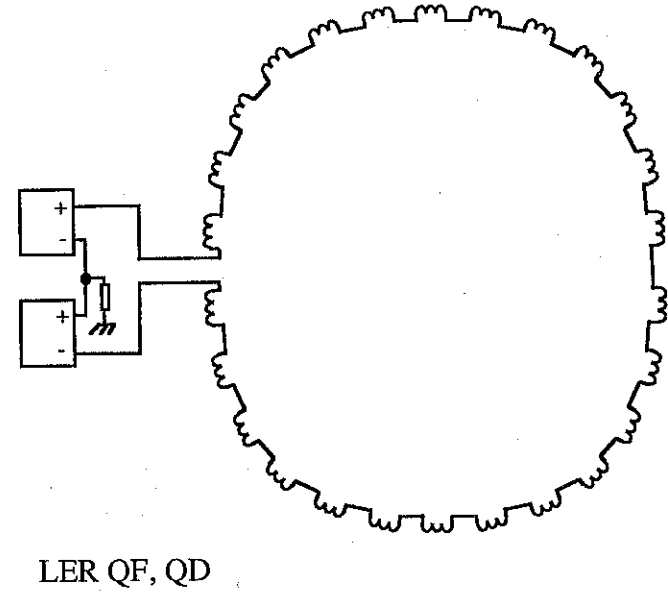
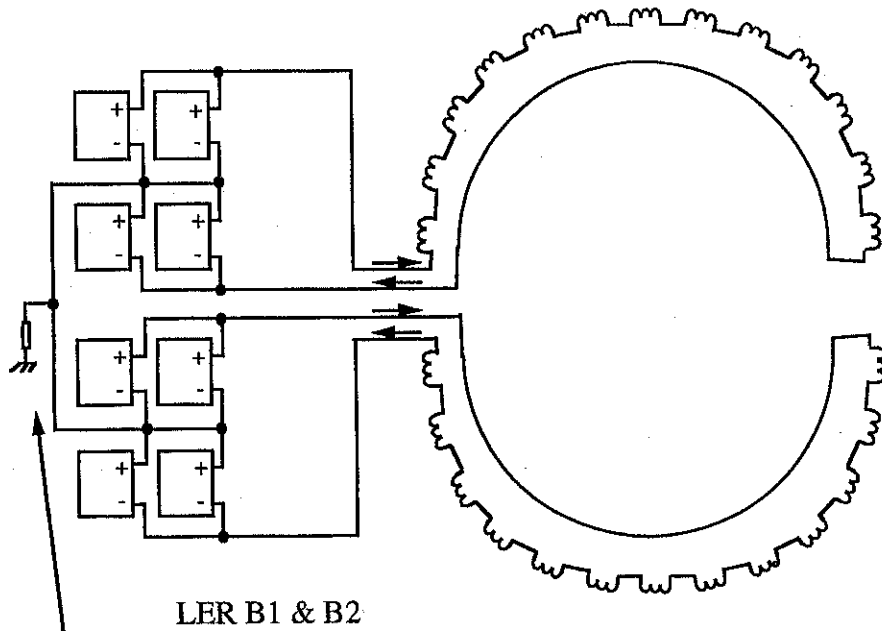


HER QFS1E, QDS3E, QDS1E, QDS2E, QFS2E, QDSOXE, SD, SF



HER QFS3E, QFRFC+ QDRFC, QFP, QDP, QDRF+QFRF, QDRF4

# String Magnet Power Supplies - LER Circuits



Note: One ground resistor is shared among all circuits.

