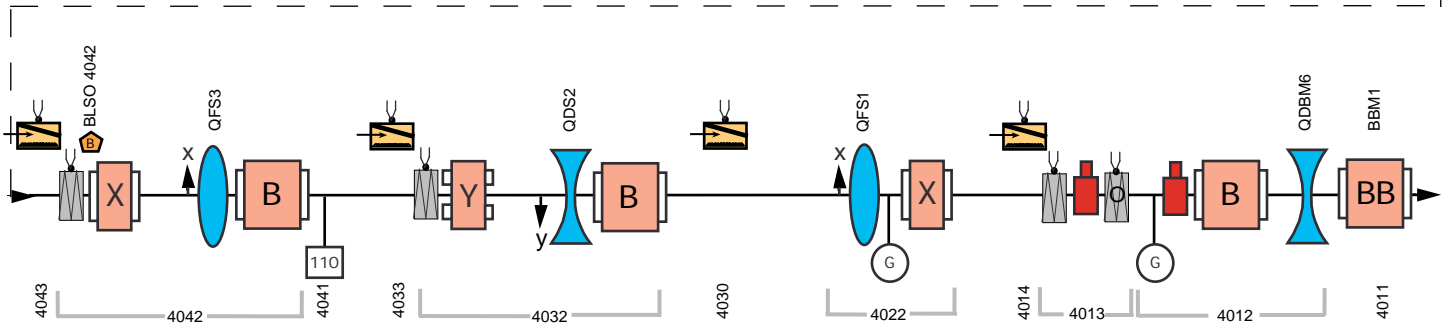
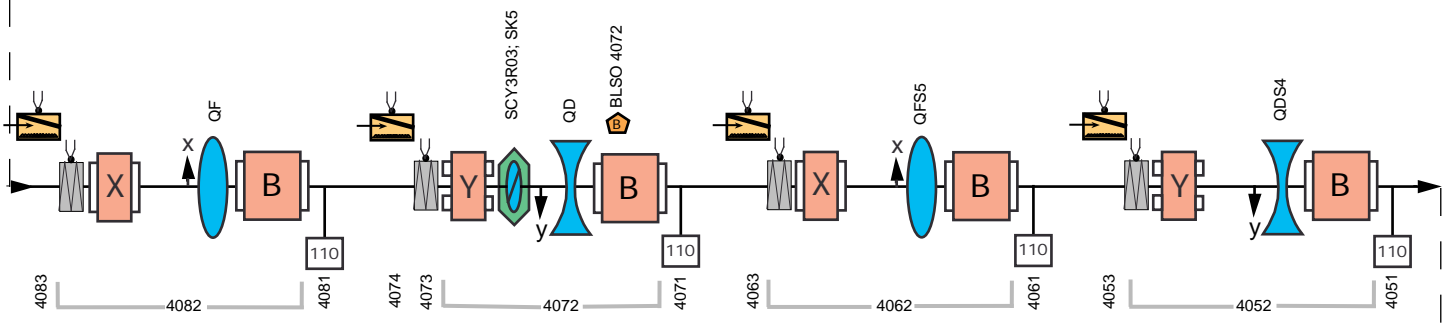
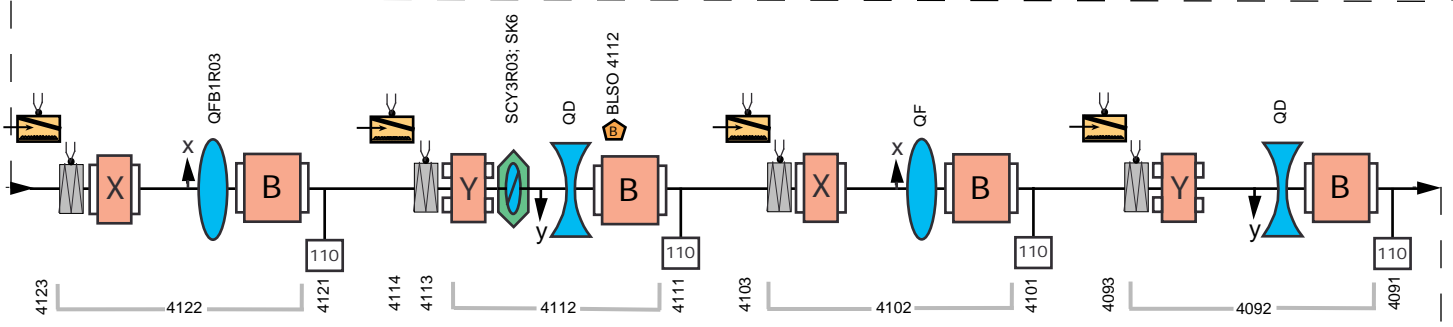
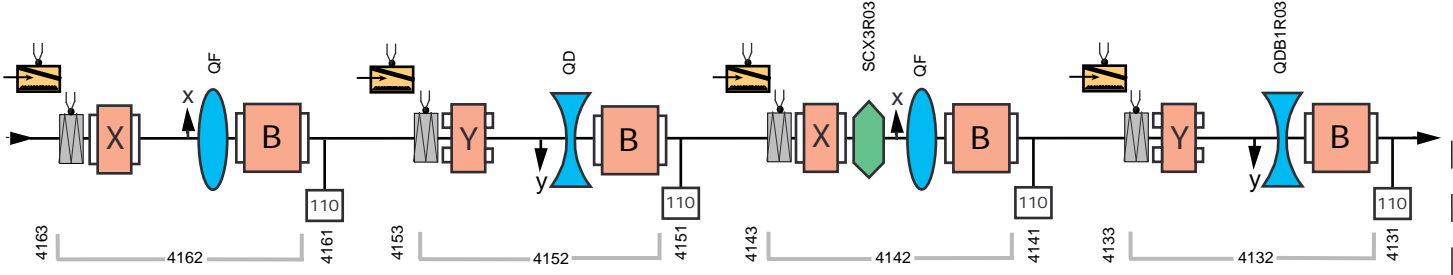


ARC3-A PR02 (SQB)



	Horizontal Bend Magnet		Chicane Bend Magnet		Sextupole		Horizontal BPM		Ion pump (110 l/sec)
	Focusing quad		Horizontal corrector		Sextupole with a skew quad windings		Vertical BPM		Vacuum gauge
	Defocusing quad		Vertical corrector		Photon Stop		Beam Loss Monitor A-above B-below the beam line		Vacuum Valve
					Arc Bellow		Thermocouple		Octagonal Bellow