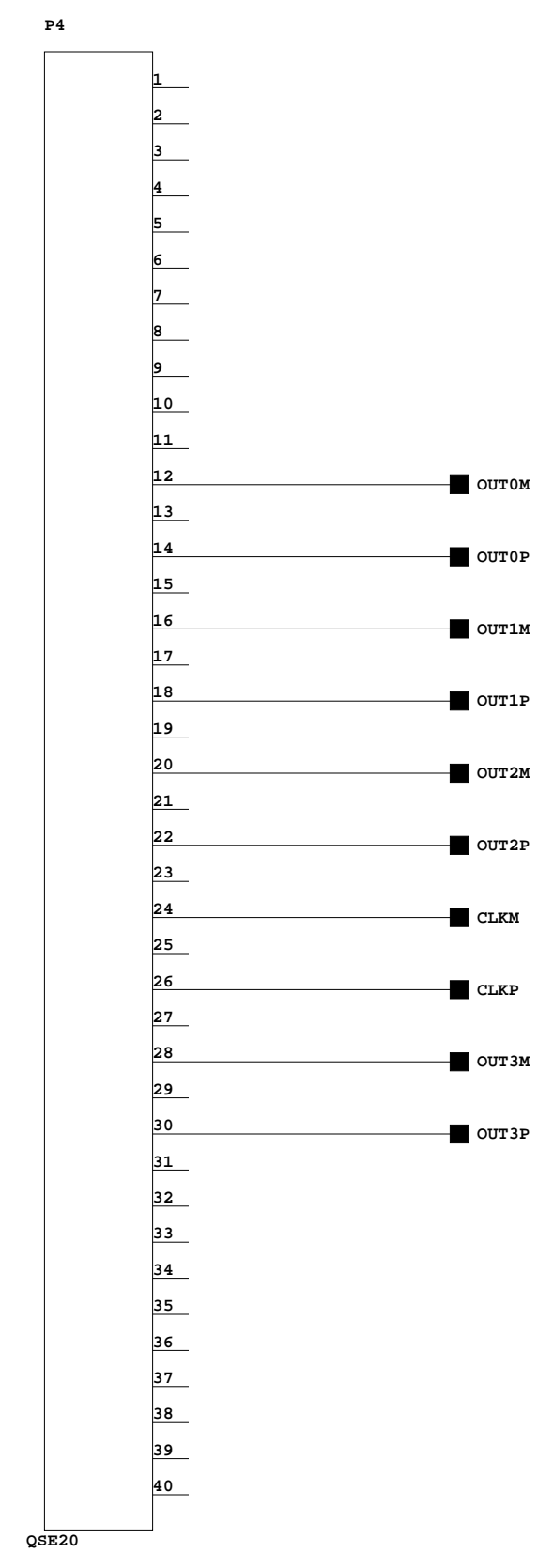


TSFOUT .1
1-23-2003_13:35

BABAR TSF AUXILIARY BD

STANFORD LINEAR ACCELERATOR CENTER U.S. DEPARTMENT OF ENERGY		
STANFORD UNIVERSITY	STANFORD, CALIFORNIA	
<small>PROPRIETARY DATA OF STANFORD UNIVERSITY AND/OR U.S. DEPARTMENT OF ENERGY. RECIPIENT SHALL NOT PUBLISH THE INFORMATION WITHIN UNLESS GRANTED SPECIFIC PERMISSION OF STANFORD UNIVERSITY.</small>		
DATE	APPROVALS	
<small>ENGR</small> Jeff Olsen	12/12/02	
<small>DATE</small>		
<small>CHKD</small>		

SHEET	OF	11
BABAR TSF AUXILIARY BOARD		
		D

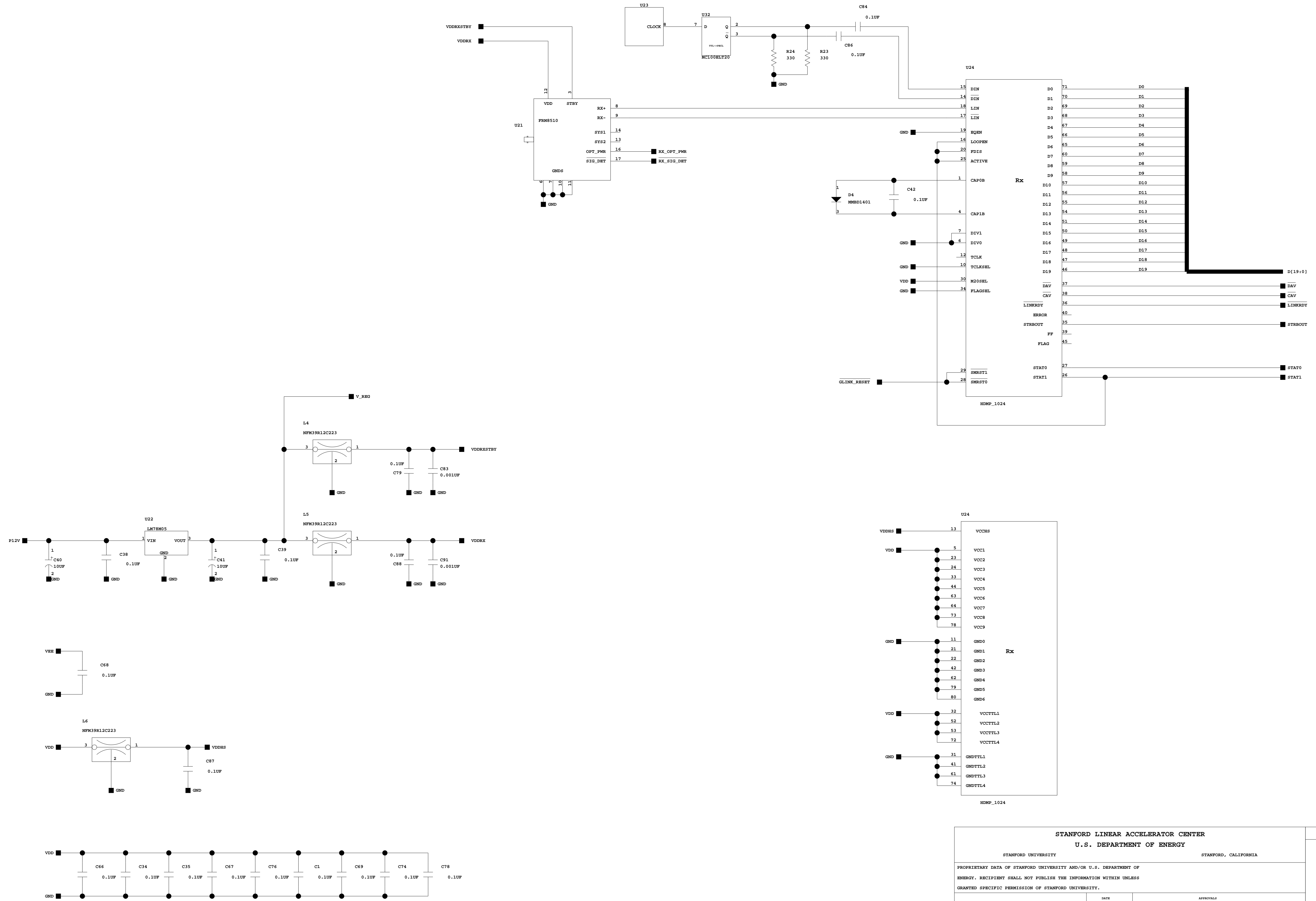


TSFOUT .1
1-23-2003_13:35

BABAR TSF AUXILIARY BD

STANFORD LINEAR ACCELERATOR CENTER U.S. DEPARTMENT OF ENERGY		
STANFORD UNIVERSITY	STANFORD, CALIFORNIA	
<small>PROPRIETARY DATA OF STANFORD UNIVERSITY AND/OR U.S. DEPARTMENT OF ENERGY. RECIPIENT SHALL NOT PUBLISH THE INFORMATION WITHIN UNLESS GRANTED SPECIFIC PERMISSION OF STANFORD UNIVERSITY.</small>		
DATE	APPROVALS	
<small>ENGR</small> Jeff Olsen	12/12/02	
<small>DATE</small>		
<small>CHKD</small>		

SHEET	OF	11
BABAR TSF AUXILIARY BOARD		
		D

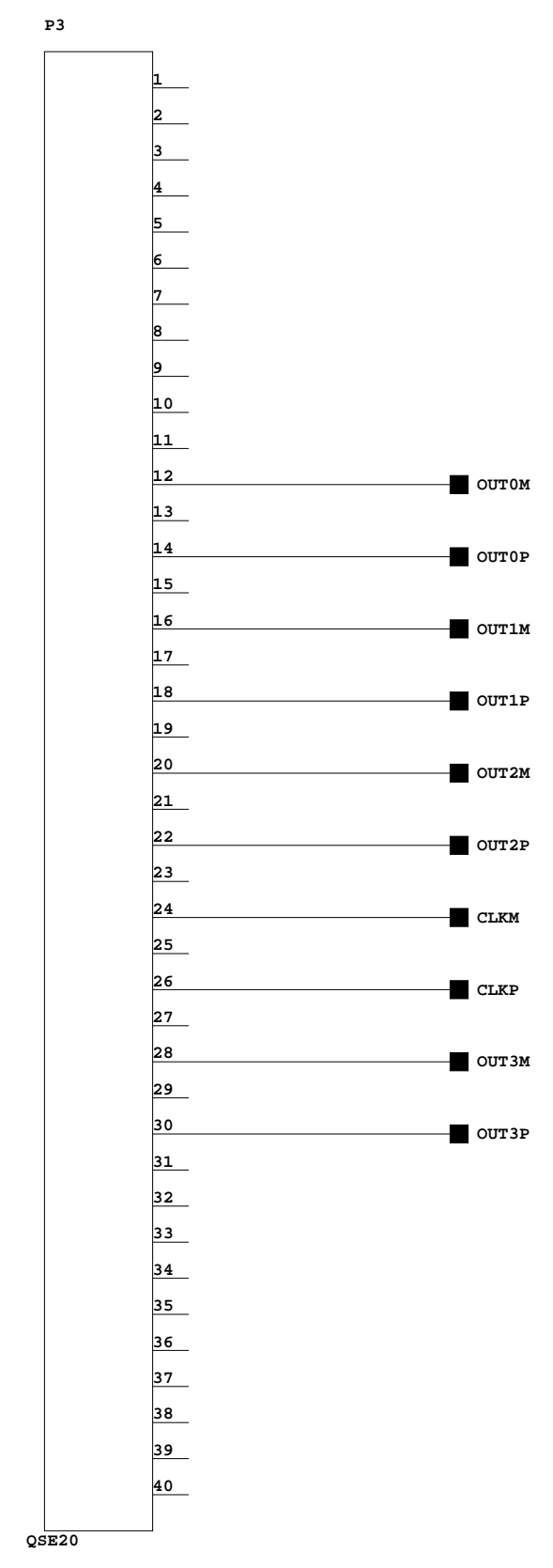


GLINK .1
2-26-2003_9:26

STANFORD LINEAR ACCELERATOR CENTER U.S. DEPARTMENT OF ENERGY		
STANFORD UNIVERSITY		STANFORD, CALIFORNIA
PROPRIETARY DATA OF STANFORD UNIVERSITY AND/OR U.S. DEPARTMENT OF ENERGY. RECIPIENT SHALL NOT PUBLISH THE INFORMATION WITHIN UNLESS GRANTED SPECIFIC PERMISSION OF STANFORD UNIVERSITY.		
DATE	DATE	APPROVALS
12/12/02		
BY	DATE	APPROVALS
Jeff Olsen		
CHKD		

SHEET OF 11

BABAR
TSF
AUXILIARY BOARD

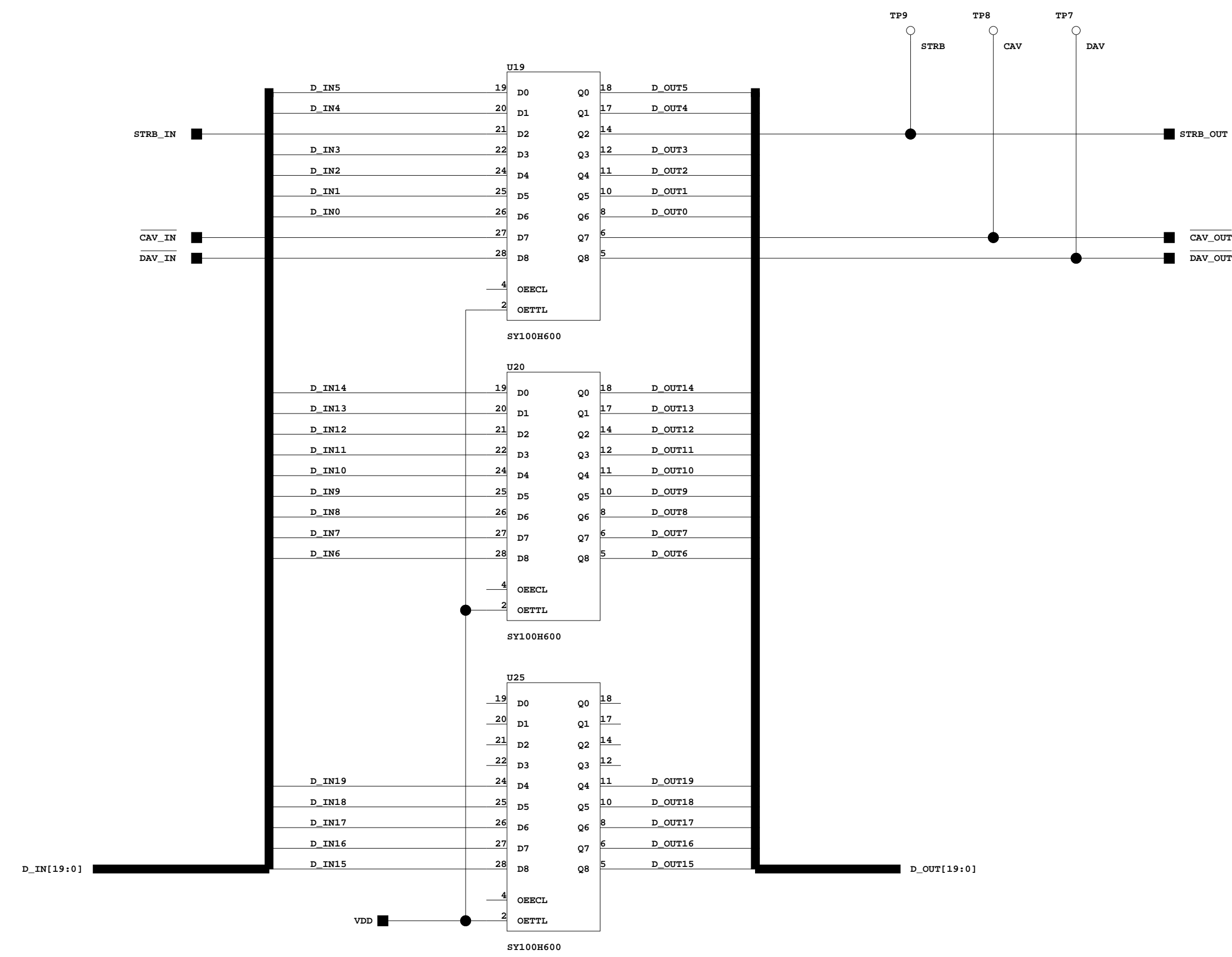


TSFOUT .1
1-23-2003_13:35

BABAR TSF AUXILIARY BD

STANFORD LINEAR ACCELERATOR CENTER U.S. DEPARTMENT OF ENERGY		
STANFORD UNIVERSITY	STANFORD, CALIFORNIA	
<small>PROPRIETARY DATA OF STANFORD UNIVERSITY AND/OR U.S. DEPARTMENT OF ENERGY. RECIPIENT SHALL NOT PUBLISH THE INFORMATION WITHIN UNLESS GRANTED SPECIFIC PERMISSION OF STANFORD UNIVERSITY.</small>		
DATE	APPROVALS	
<small>ENGR</small> Jeff Olsen	12/12/02	
<small>DATE</small>		
<small>CHKD</small>		

SHEET	OF	11
BABAR TSF AUXILIARY BOARD		
		D

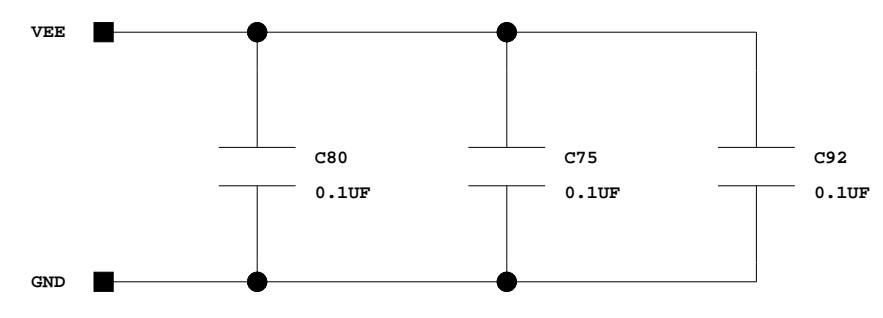
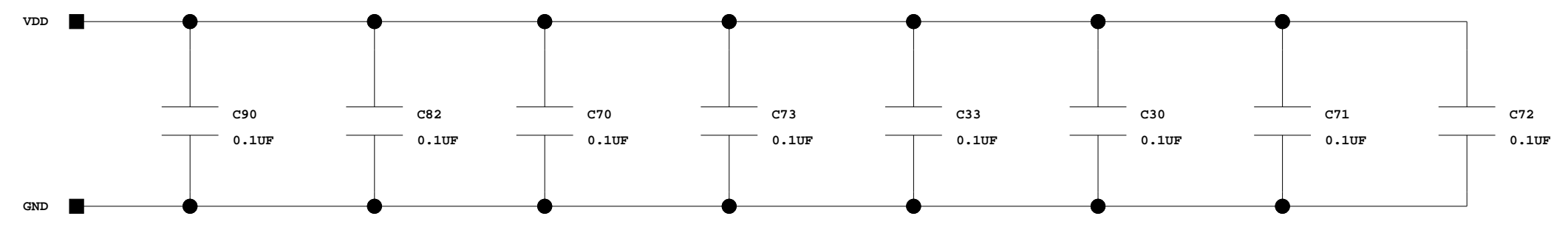
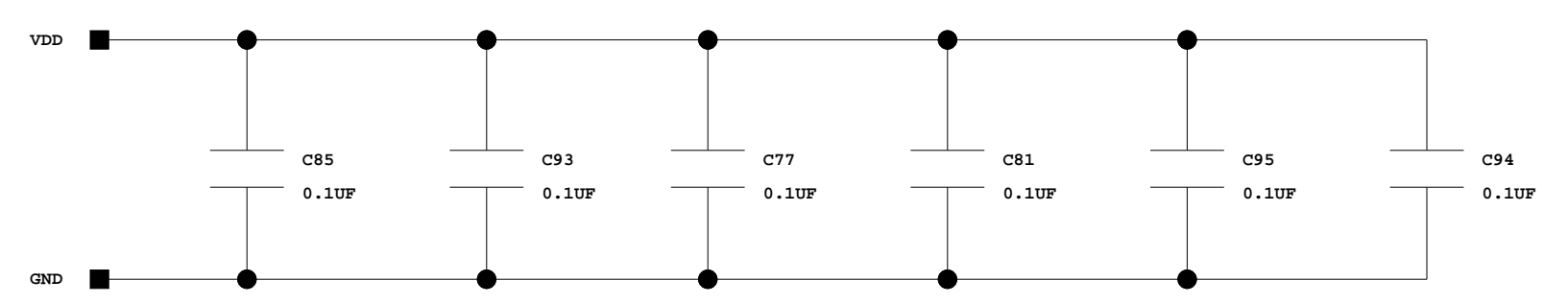
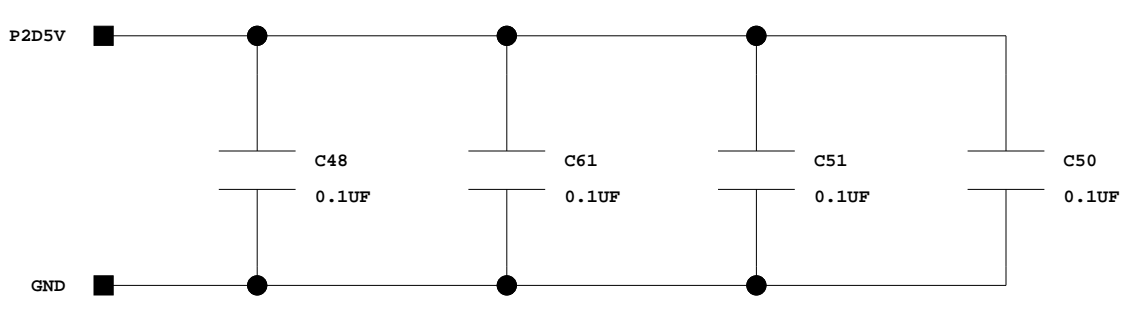
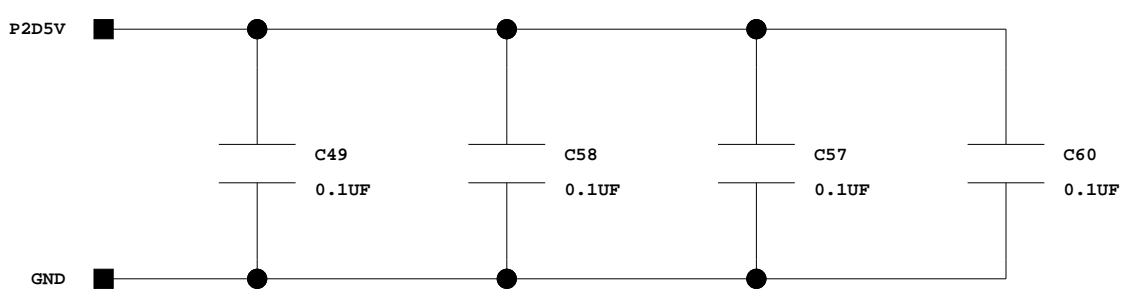
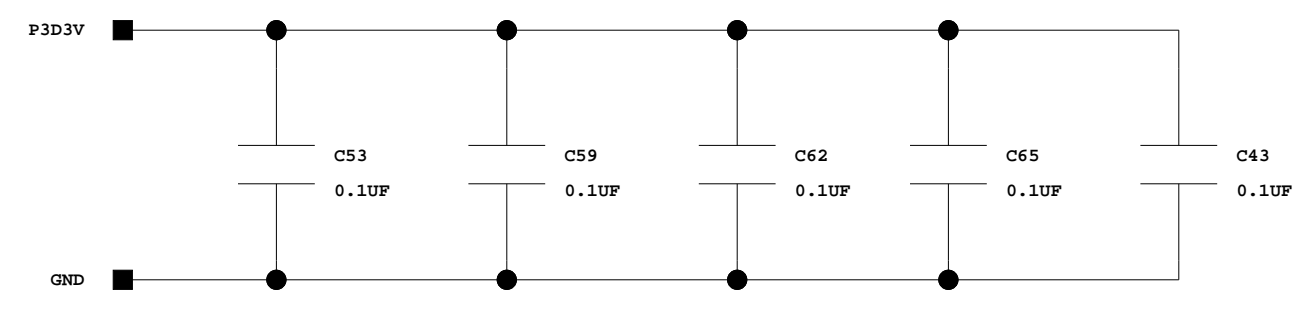
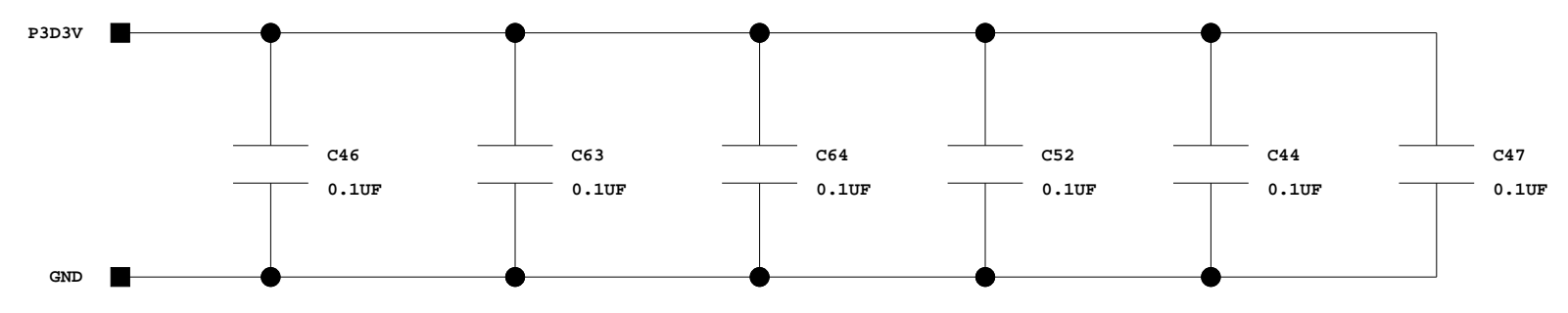
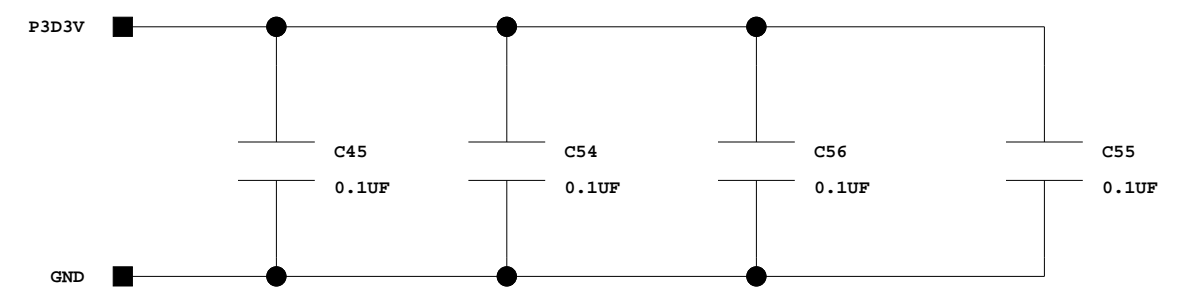
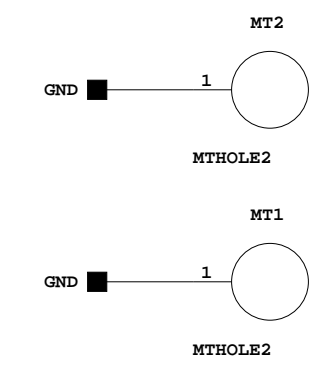
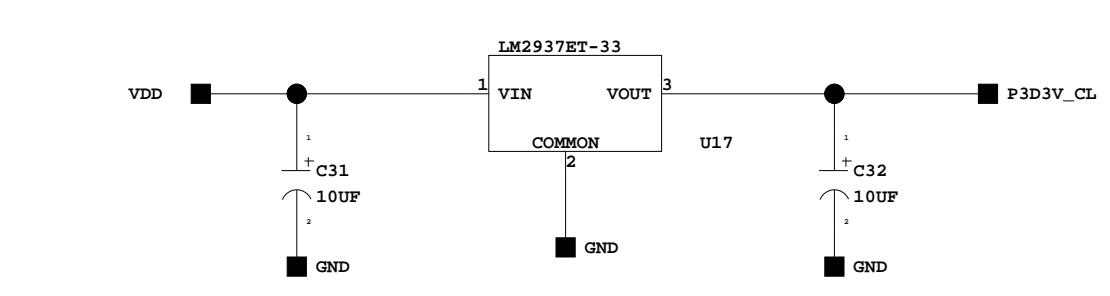
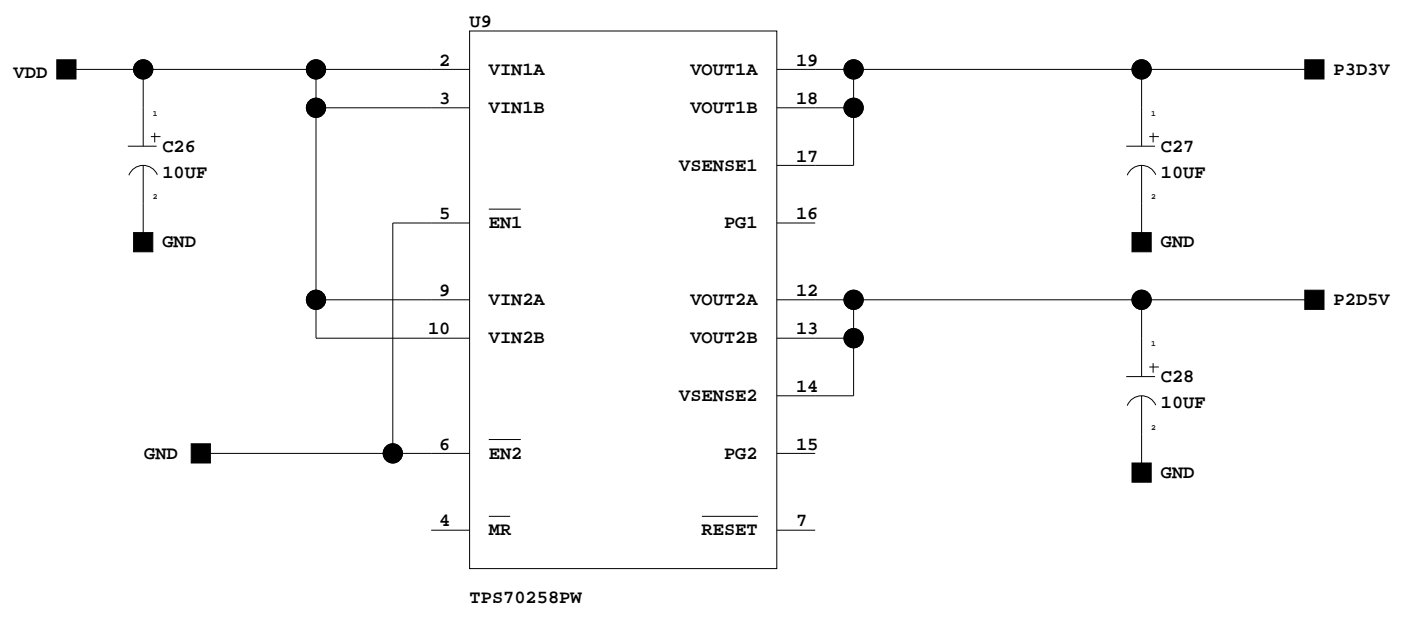


GTRANS .1
1-22-2003_14:10

STANFORD LINEAR ACCELERATOR CENTER U.S. DEPARTMENT OF ENERGY		
STANFORD UNIVERSITY		STANFORD, CALIFORNIA
PROPRIETARY DATA OF STANFORD UNIVERSITY AND/OR U.S. DEPARTMENT OF ENERGY. RECIPIENT SHALL NOT PUBLISH THE INFORMATION WITHIN UNLESS GRANTED SPECIFIC PERMISSION OF STANFORD UNIVERSITY.		
DATE	APPROVALS	
12/12/02	Jeff Olsen	

SHEET	OF	11
BABAR		
TSF		
AUXILIARY BOARD		

BABAR TSF AUXILIARY BD



BABAR TSF AUXILIARY BD

STANFORD LINEAR ACCELERATOR CENTER
U.S. DEPARTMENT OF ENERGY

STANFORD UNIVERSITY STANFORD, CALIFORNIA
PROPRIETARY DATA OF STANFORD UNIVERSITY AND/OR U.S. DEPARTMENT OF ENERGY. RECIPIENT SHALL NOT PUBLISH THE INFORMATION WITHIN UNLESS GRANTED SPECIFIC PERMISSION OF STANFORD UNIVERSITY.

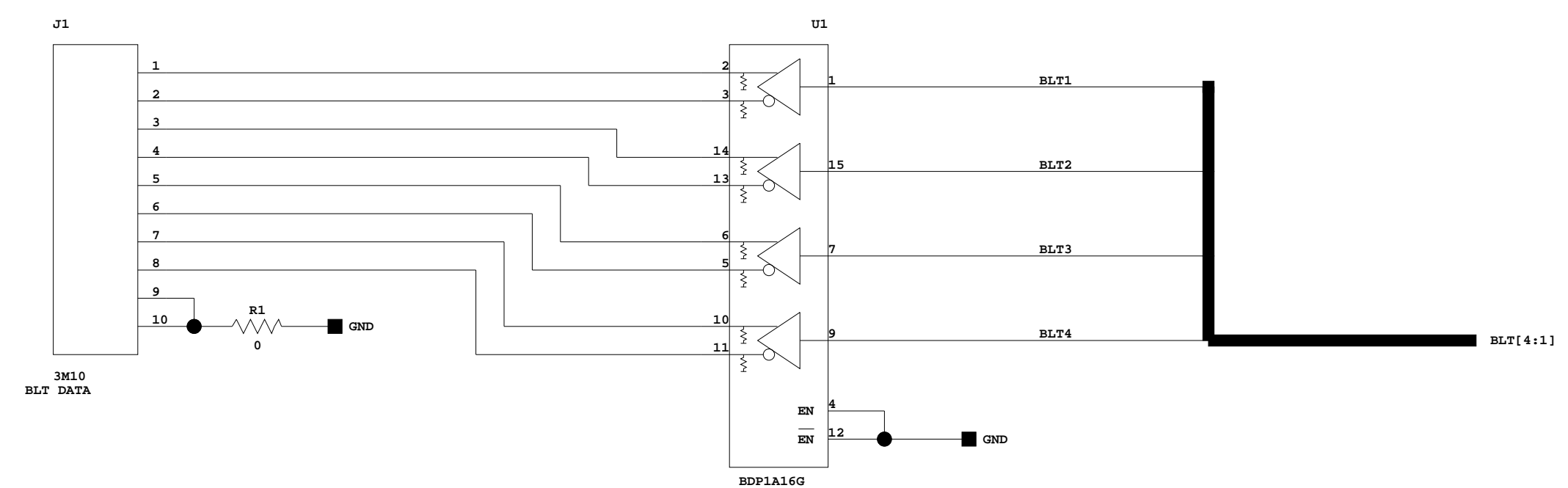
DATE	APPROVALS
12/12/02	

SHEET OF 11

BABAR

TSF

AUXILIARY BOARD

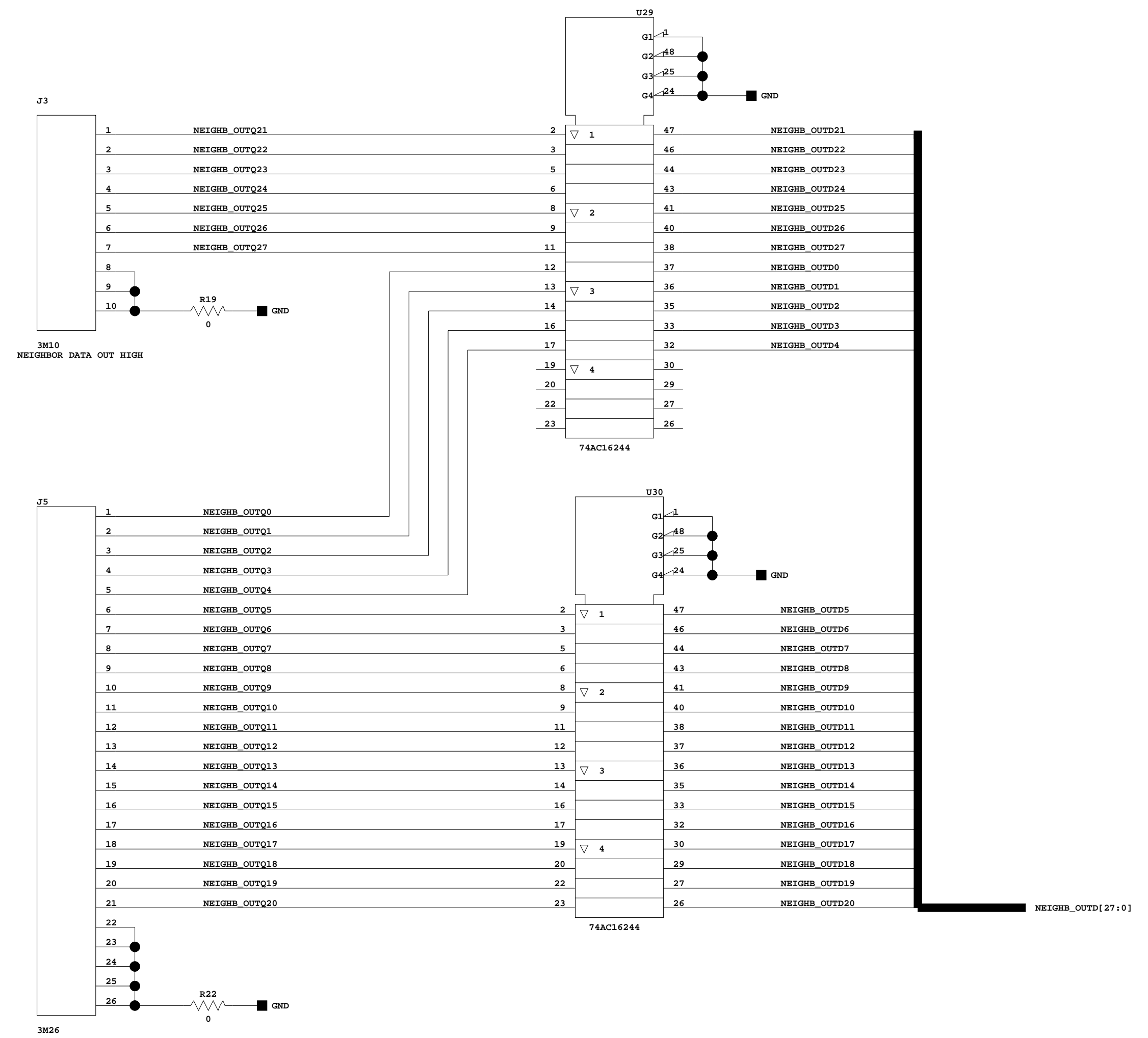
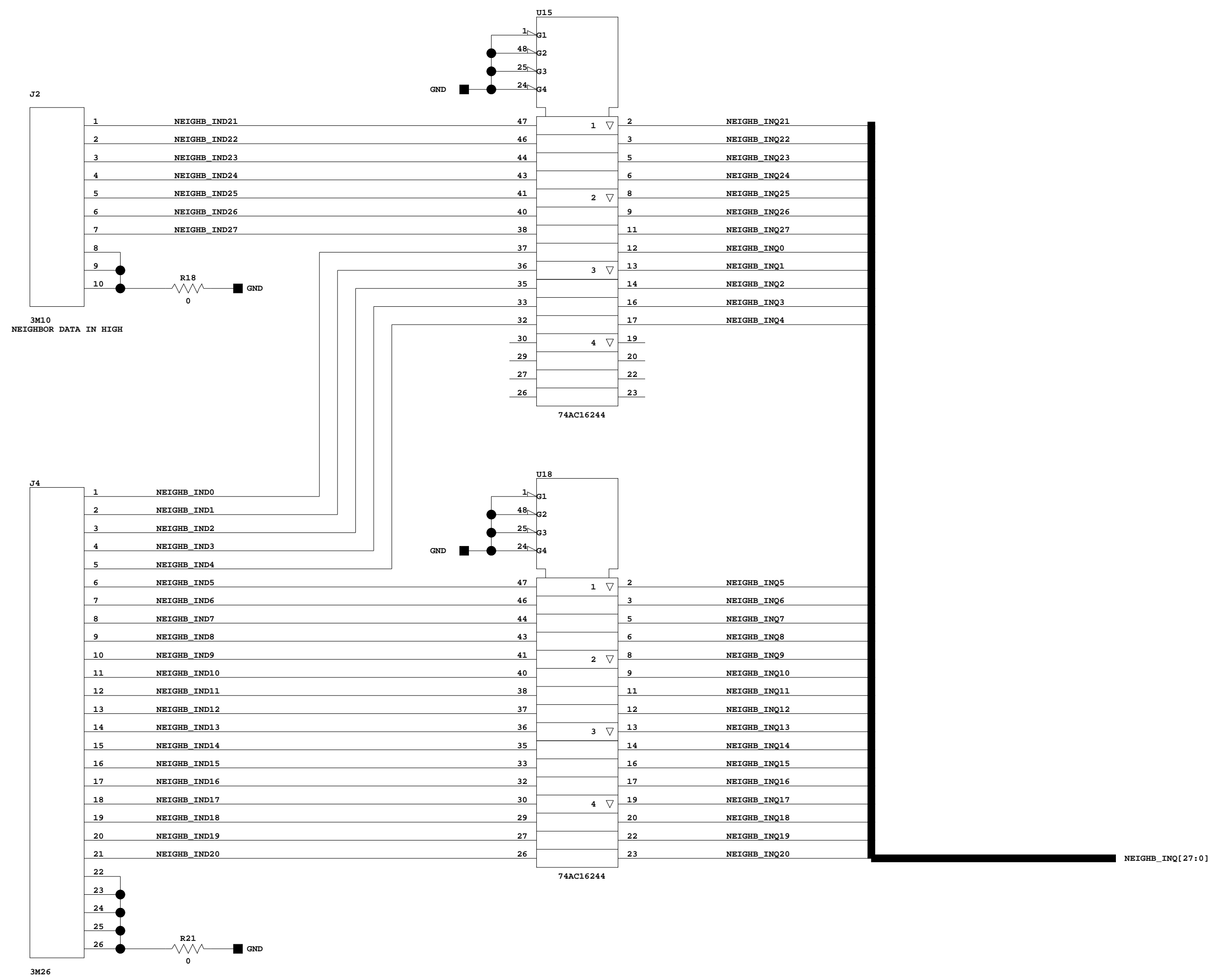


BLT .1
1-23-2003_13:35

STANFORD LINEAR ACCELERATOR CENTER U.S. DEPARTMENT OF ENERGY <small>STANFORD UNIVERSITY STANFORD, CALIFORNIA</small>		
<small>PROPRIETARY DATA OF STANFORD UNIVERSITY AND/OR U.S. DEPARTMENT OF ENERGY. RECIPIENT SHALL NOT PUBLISH THE INFORMATION WITHIN UNLESS GRANTED SPECIFIC PERMISSION OF STANFORD UNIVERSITY.</small>		
<small>DATE</small> 12/12/02	<small>APPROVALS</small> Jeff Olsen	
<small>BY</small>		
<small>CHKD</small>		
<small>APPV</small>		

SHEET	OF	11
BABAR TSF AUXILIARY BOARD		
		D

BABAR TSF AUXILIARY BD



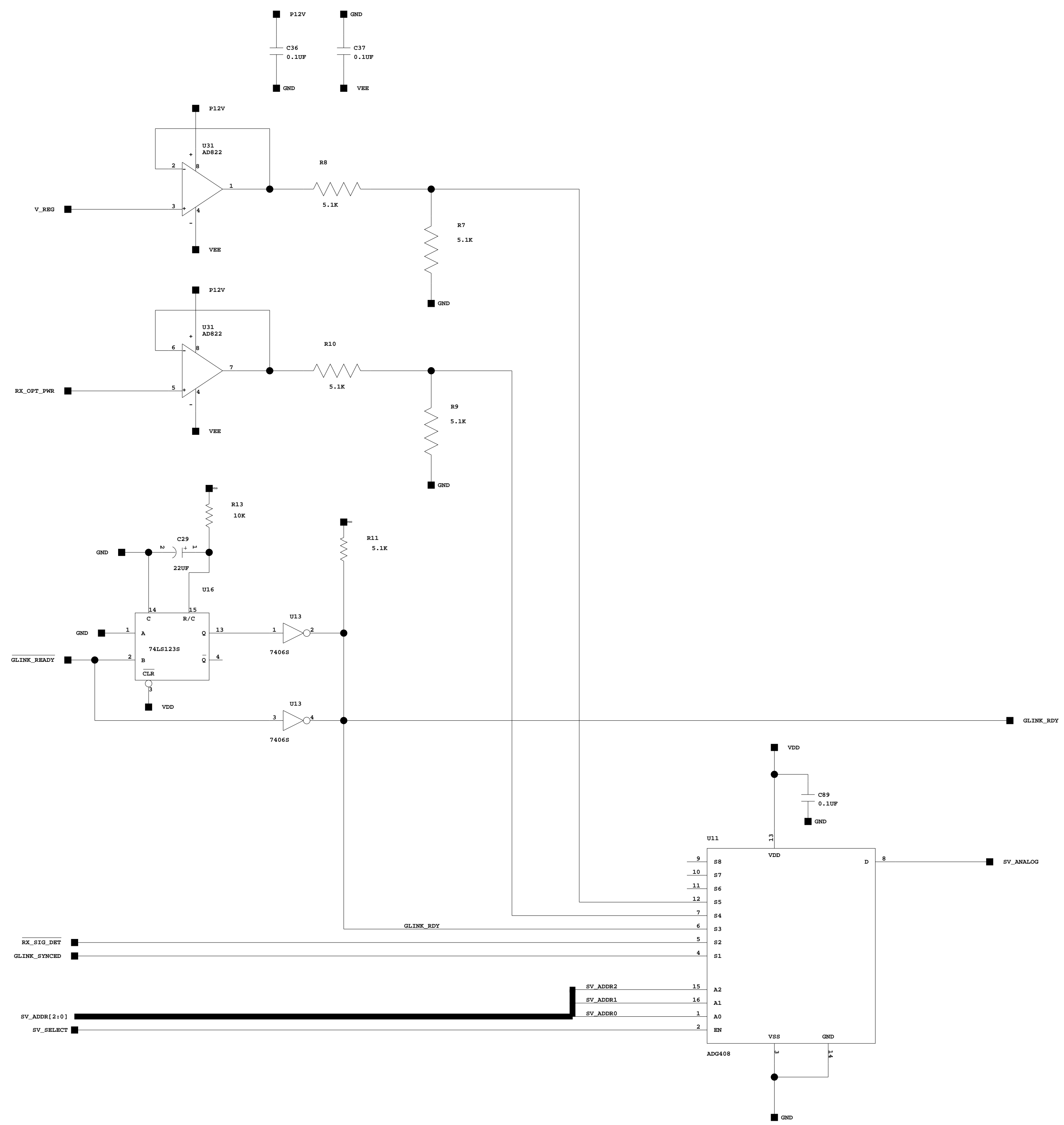
NEIGHBOR .1

1-23-2003_13:35

STANFORD LINEAR ACCELERATOR CENTER U.S. DEPARTMENT OF ENERGY		
STANFORD UNIVERSITY	STANFORD, CALIFORNIA	
<small>PROPRIETARY DATA OF STANFORD UNIVERSITY AND/OR U.S. DEPARTMENT OF ENERGY. RECIPIENT SHALL NOT PUBLISH THE INFORMATION WITHIN UNLESS GRANTED SPECIFIC PERMISSION OF STANFORD UNIVERSITY.</small>		
ENGR	DATE	APPROVALS
Jeff Olsen	12/12/02	
OPFR		
CHKR		

SHEET OF 11

**BABAR
TSF
AUXILIARY BOARD**



BABAR TSF AUXILIARY BD

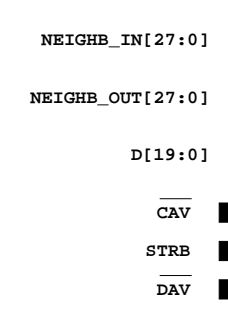
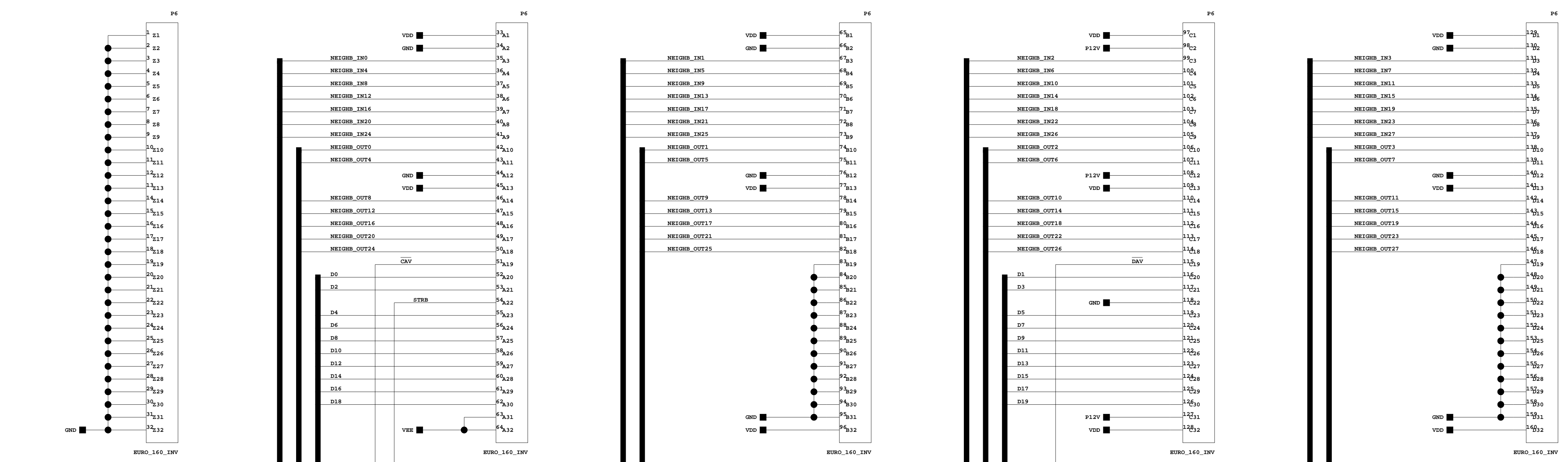
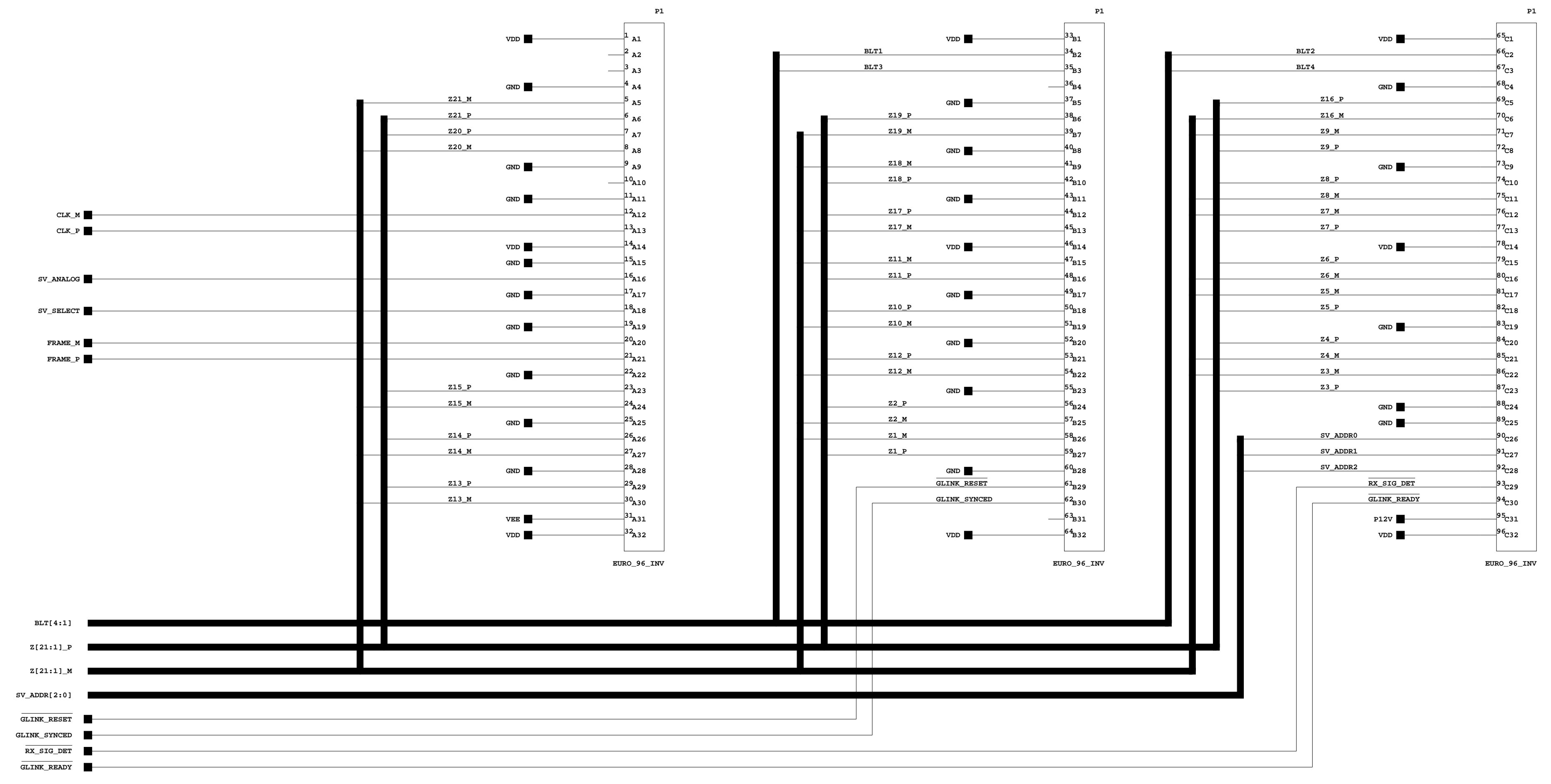
ANALOG .1
2-26-2003_9:33

STANFORD LINEAR ACCELERATOR CENTER
U.S. DEPARTMENT OF ENERGY

STANFORD UNIVERSITY STANFORD, CALIFORNIA
PROPRIETARY DATA OF STANFORD UNIVERSITY AND/OR U.S. DEPARTMENT OF ENERGY. RECIPIENT SHALL NOT PUBLISH THE INFORMATION WITHIN UNLESS GRANTED SPECIFIC PERMISSION OF STANFORD UNIVERSITY.

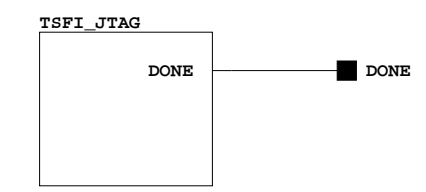
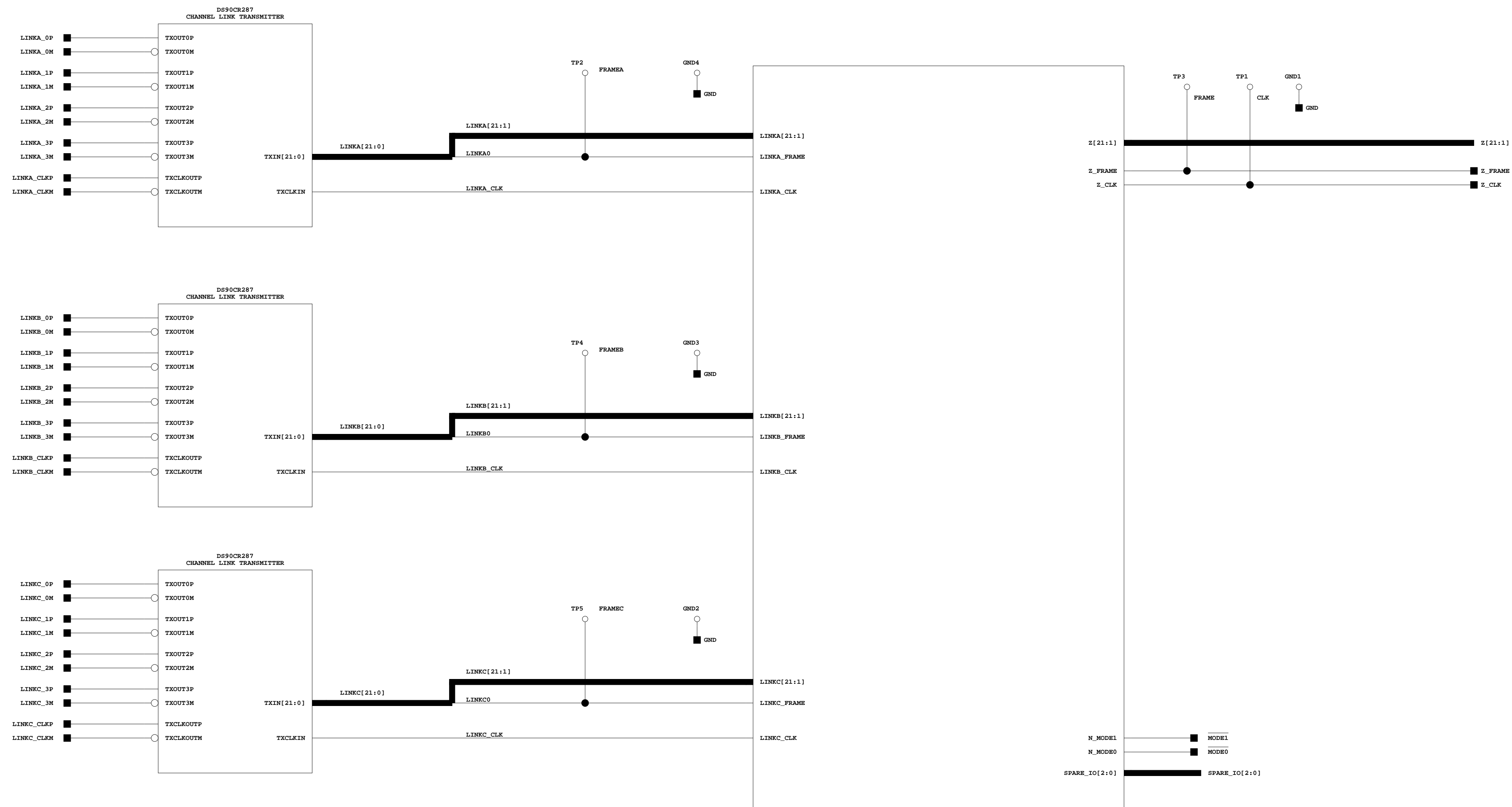
DATE	APPROVALS
12/12/02	

SHEET OF 11
BABAR
TSF
AUXILIARY BOARD



STANFORD UNIVERSITY U.S. DEPARTMENT OF ENERGY STANFORD, CALIFORNIA		
PROPRIETARY DATA OF STANFORD UNIVERSITY AND/OR U.S. DEPARTMENT OF ENERGY. RECIPIENT SHALL NOT PUBLISH THE INFORMATION WITHIN UNLESS GRANTED SPECIFIC PERMISSION OF STANFORD UNIVERSITY.		
DATE	DATE	APPROVALS
OPER	12/12/02	Jeff Olsen
CHG		

BABAR
TSF
AUXILIARY BOARD

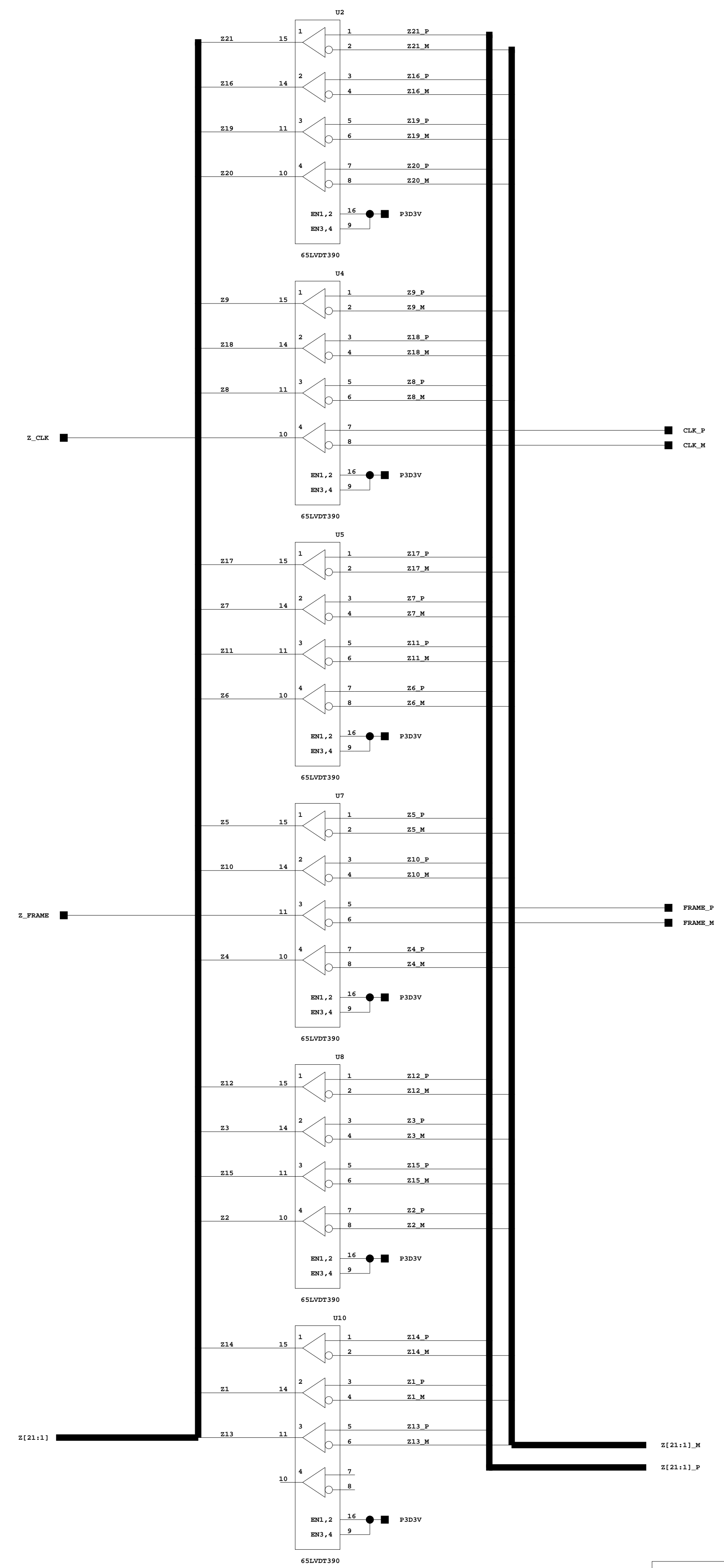


TSFIOUT .1
2-25-2003_14:27

STANFORD LINEAR ACCELERATOR CENTER U.S. DEPARTMENT OF ENERGY		
STANFORD UNIVERSITY		STANFORD, CALIFORNIA
PROPRIETARY DATA OF STANFORD UNIVERSITY AND/OR U.S. DEPARTMENT OF ENERGY. RECIPIENT SHALL NOT PUBLISH THE INFORMATION WITHIN UNLESS GRANTED SPECIFIC PERMISSION OF STANFORD UNIVERSITY.		
DATE	DATE	APPROVALS
BY	12/12/02	
BY		
BY		

SHEET	OF	11
BABAR		
TSF		
AUXILIARY BOARD		
		D

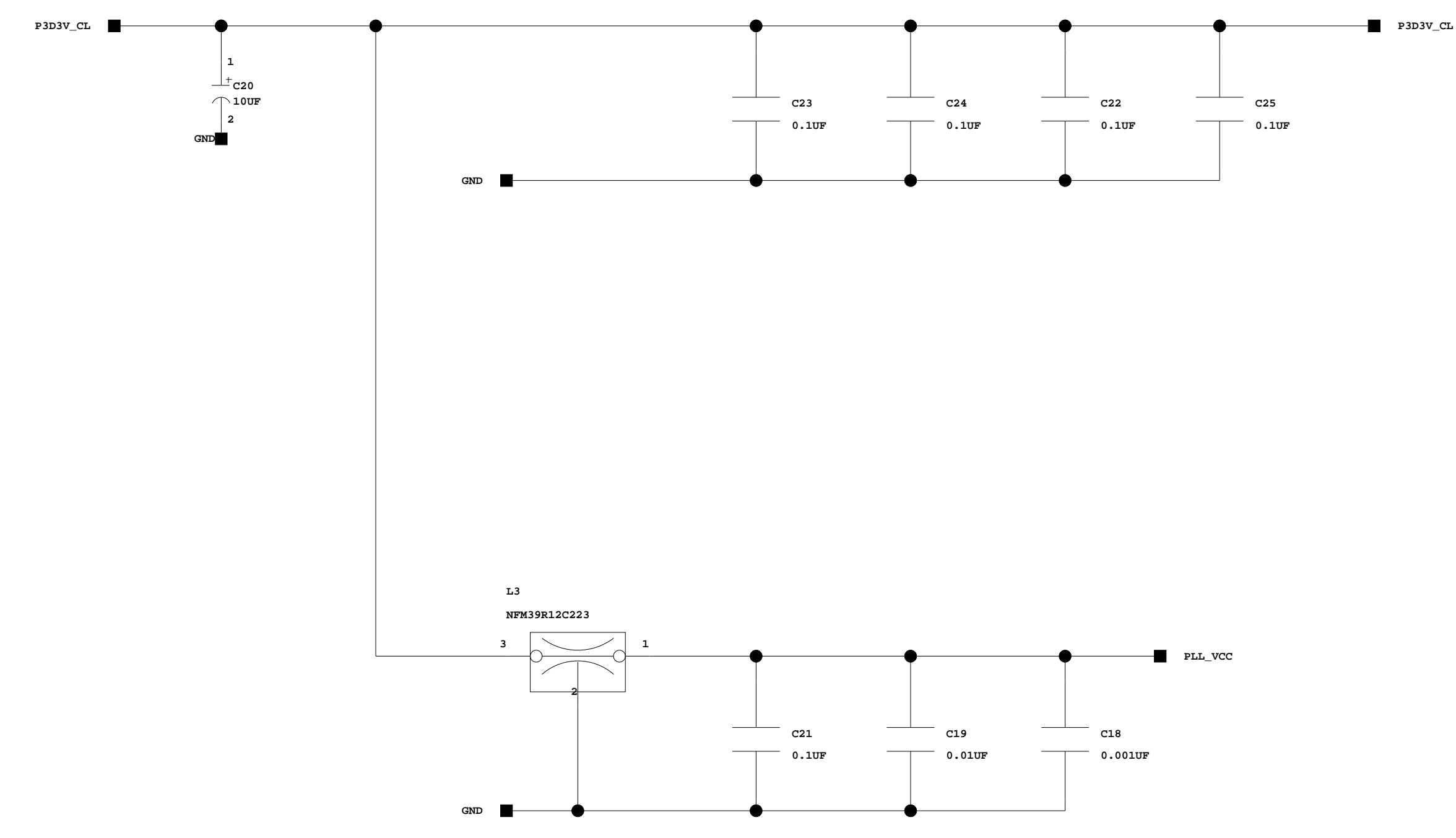
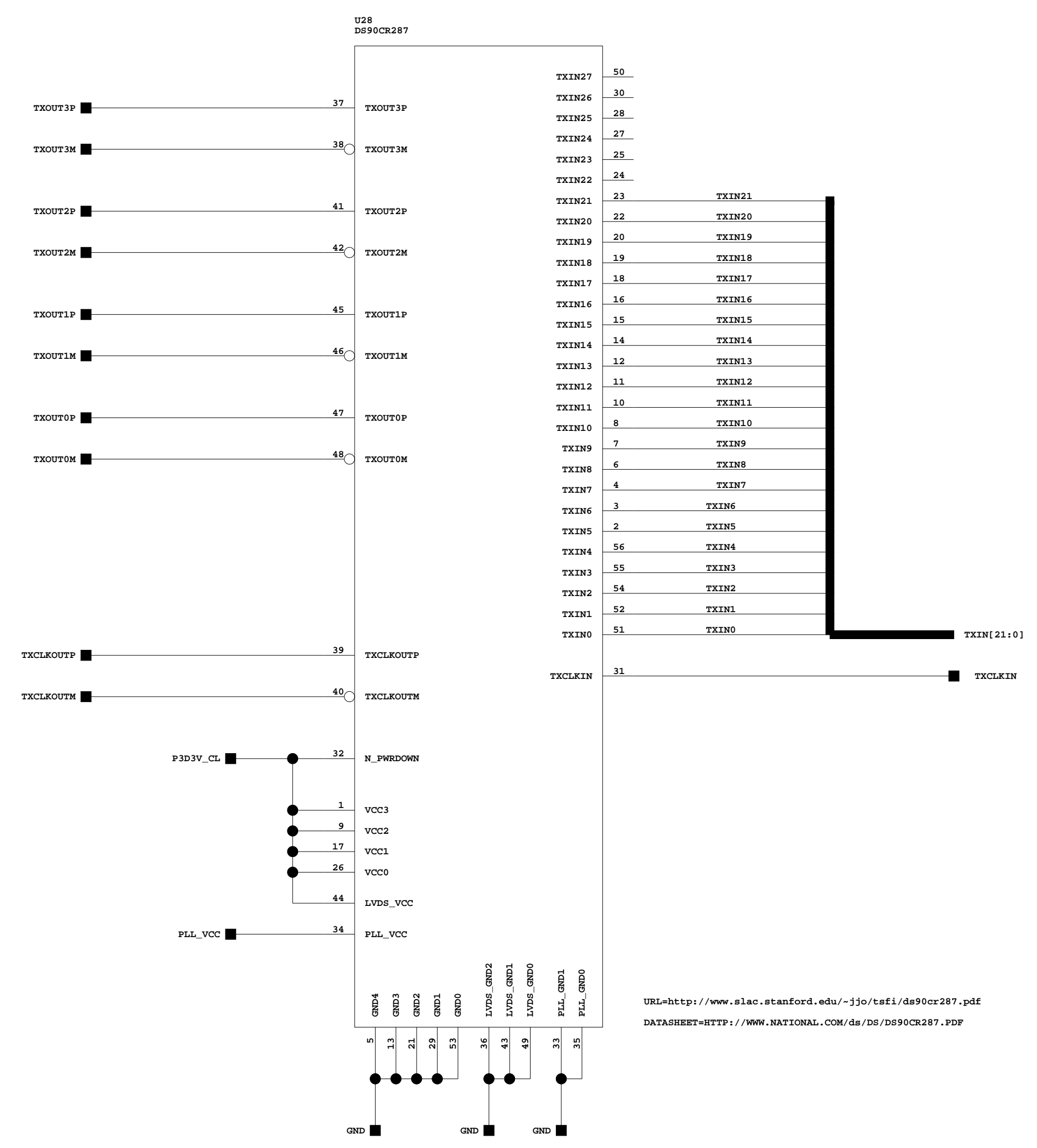
BABAR TSF AUXILIARY BD



ZTRANS .1
1-22-2003_14:10

STANFORD LINEAR ACCELERATOR CENTER U.S. DEPARTMENT OF ENERGY		
STANFORD UNIVERSITY		STANFORD, CALIFORNIA
PROPRIETARY DATA OF STANFORD UNIVERSITY AND/OR U.S. DEPARTMENT OF ENERGY. RECIPIENT SHALL NOT PUBLISH THE INFORMATION WITHIN UNLESS GRANTED SPECIFIC PERMISSION OF STANFORD UNIVERSITY.		
ENGR	DATE	APPROVALS
Jeff Olsen	12/12/02	
OPTR		
CHKD		

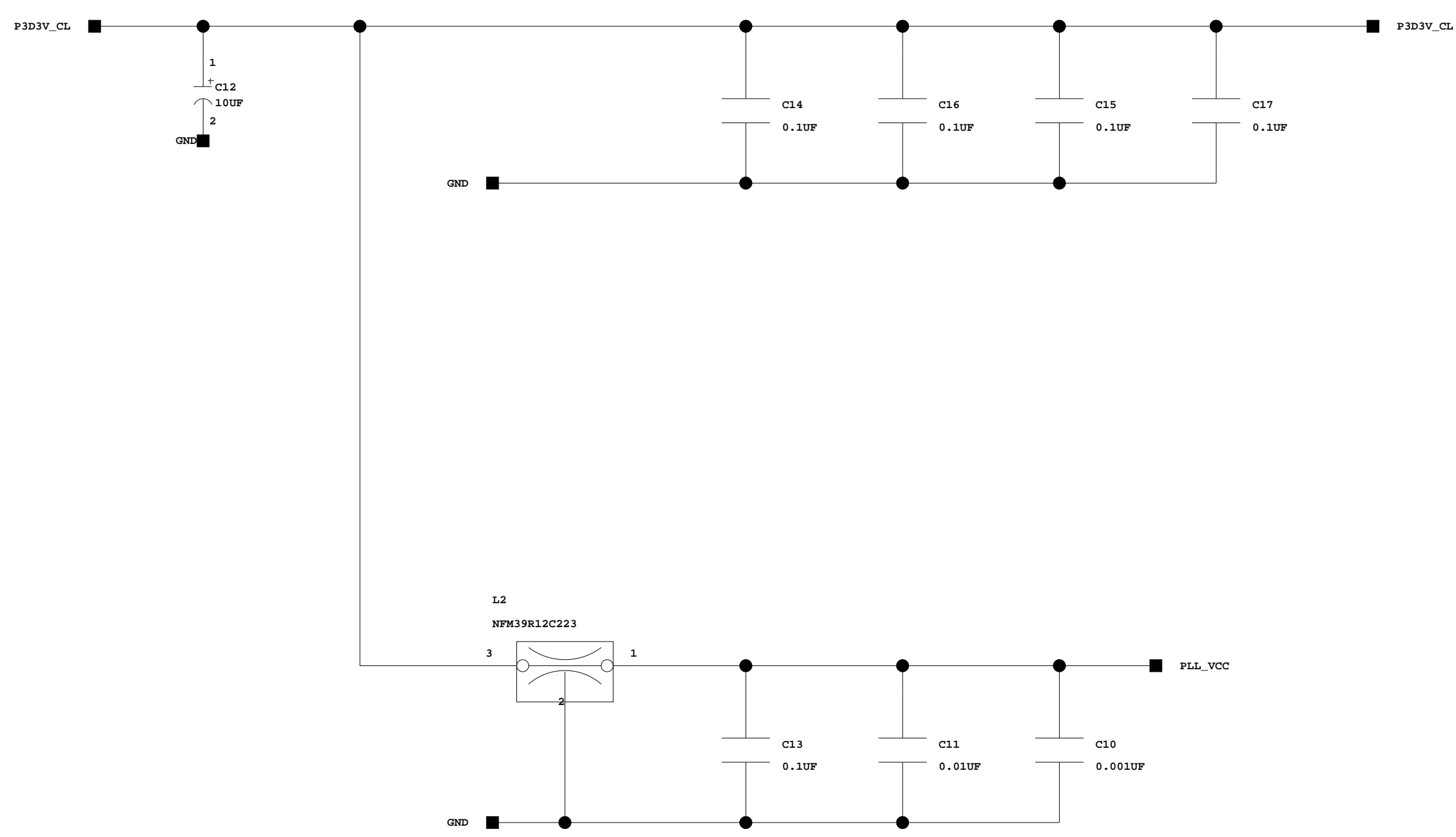
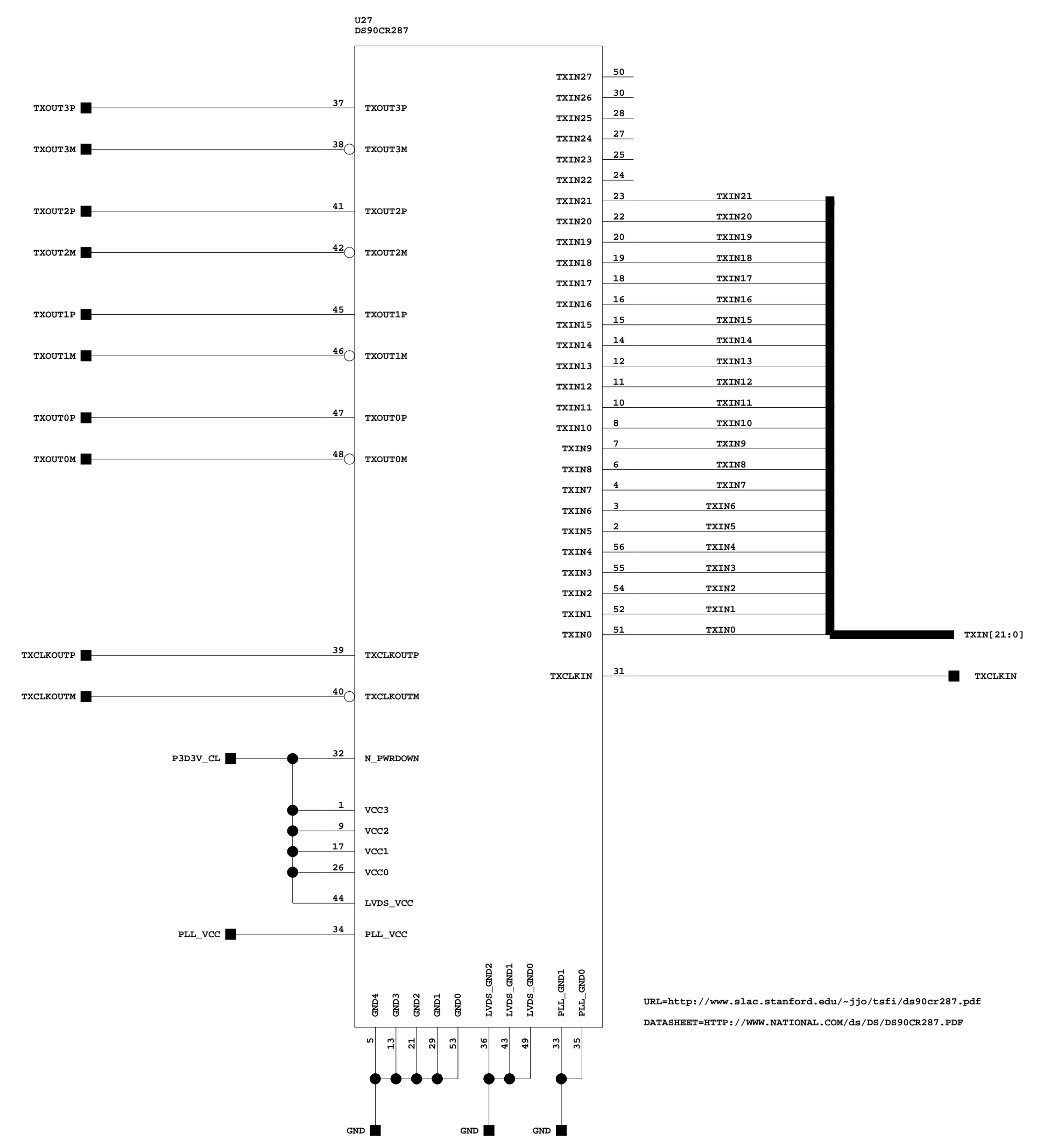
SHEET	OF	11
BABAR		
TSF		
AUXILIARY BOARD		
		D



BABAR TSF AUXILIARY BD

STANFORD LINEAR ACCELERATOR CENTER U.S. DEPARTMENT OF ENERGY		
STANFORD UNIVERSITY	STANFORD, CALIFORNIA	
PROPRIETARY DATA OF STANFORD UNIVERSITY AND/OR U.S. DEPARTMENT OF ENERGY. RECIPIENT SHALL NOT PUBLISH THE INFORMATION WITHIN UNLESS GRANTED SPECIFIC PERMISSION OF STANFORD UNIVERSITY.		
DATE	DATE	APPROVALS
12/12/02		
BY		
TSF		
CHKD		

SHEET	OF	11
BABAR		
TSF		
AUXILIARY BOARD		
		D



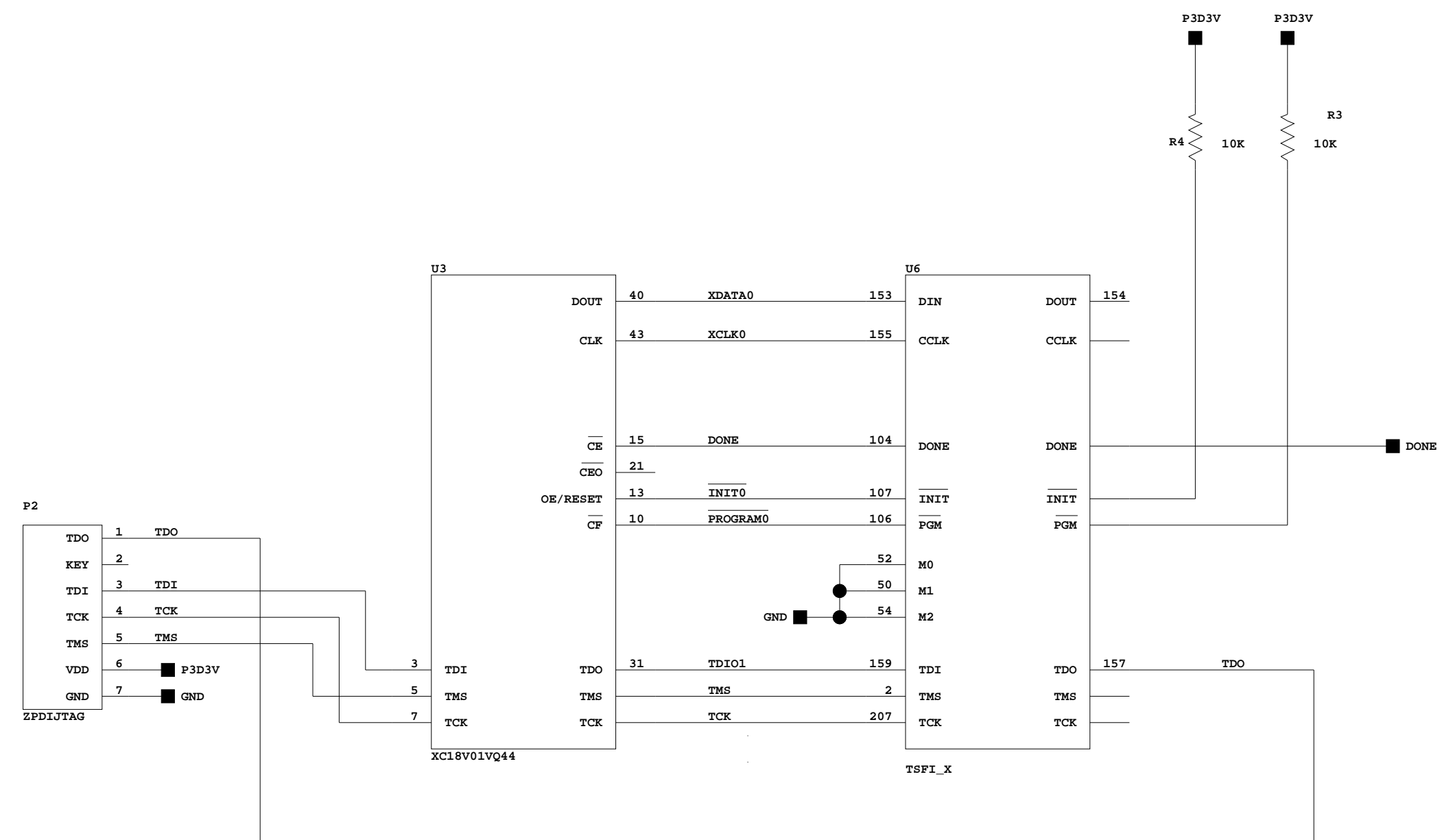
BABAR TSF AUXILIARY BD

STANFORD LINEAR ACCELERATOR CENTER
U.S. DEPARTMENT OF ENERGY

STANFORD UNIVERSITY STANFORD, CALIFORNIA
PROPRIETARY DATA OF STANFORD UNIVERSITY AND/OR U.S. DEPARTMENT OF ENERGY. RECIPIENT SHALL NOT PUBLISH THE INFORMATION WITHIN UNLESS GRANTED SPECIFIC PERMISSION OF STANFORD UNIVERSITY.

DATE	APPROVALS
12/12/02	

BABAR
TSF
AUXILIARY BOARD



TSFI_JTAG .1

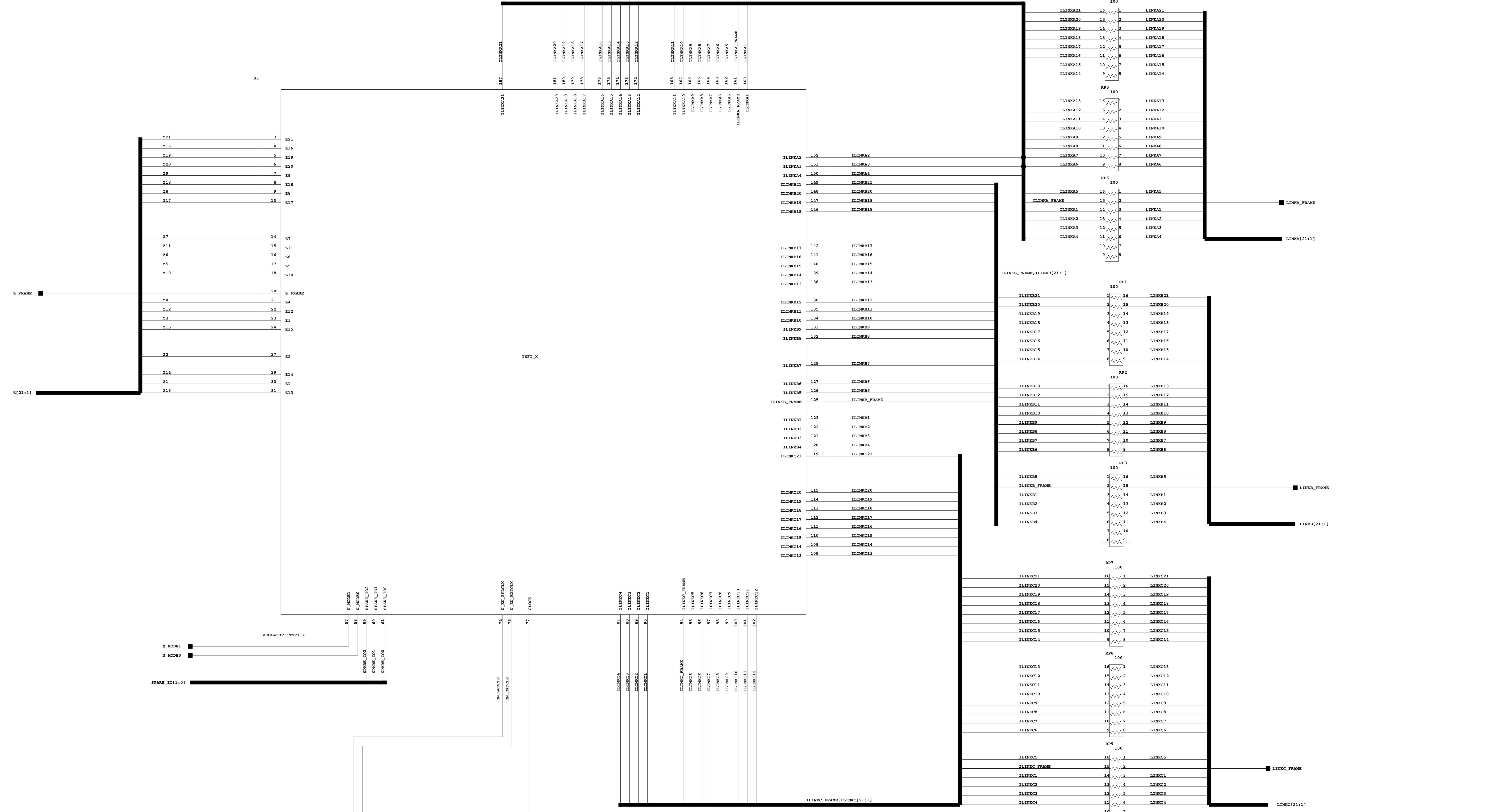
1-24-2003_12:48

SHEET OF 11

BABAR
TSF
AUXILIARY BOARD

STANFORD LINEAR ACCELERATOR CENTER U.S. DEPARTMENT OF ENERGY		
STANFORD UNIVERSITY	STANFORD, CALIFORNIA	
PROPRIETARY DATA OF STANFORD UNIVERSITY AND/OR U.S. DEPARTMENT OF ENERGY. RECIPIENT SHALL NOT PUBLISH THE INFORMATION WITHIN UNLESS GRANTED SPECIFIC PERMISSION OF STANFORD UNIVERSITY.		
DATE	DATE	APPROVALS
BY: Jeff Olsen	12/12/02	
CHKD:		
APPV:		

BABAR TSF AUXILIARY BD



FANOUT .1
3-4-2003_15:41

STANFORD LINEAR ACCELERATOR CENTER
U.S. DEPARTMENT OF ENERGY

STANFORD UNIVERSITY STANFORD, CALIFORNIA

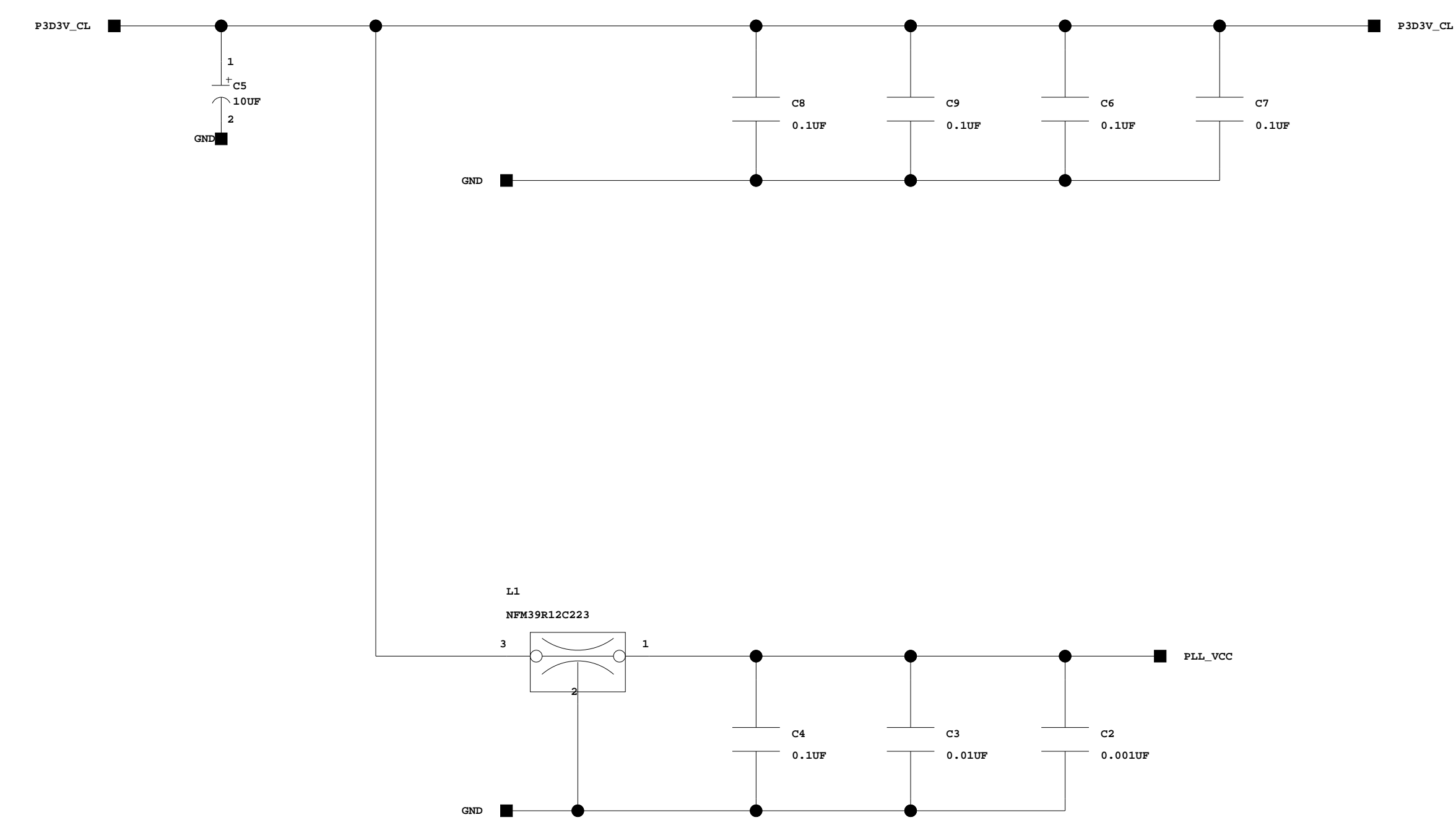
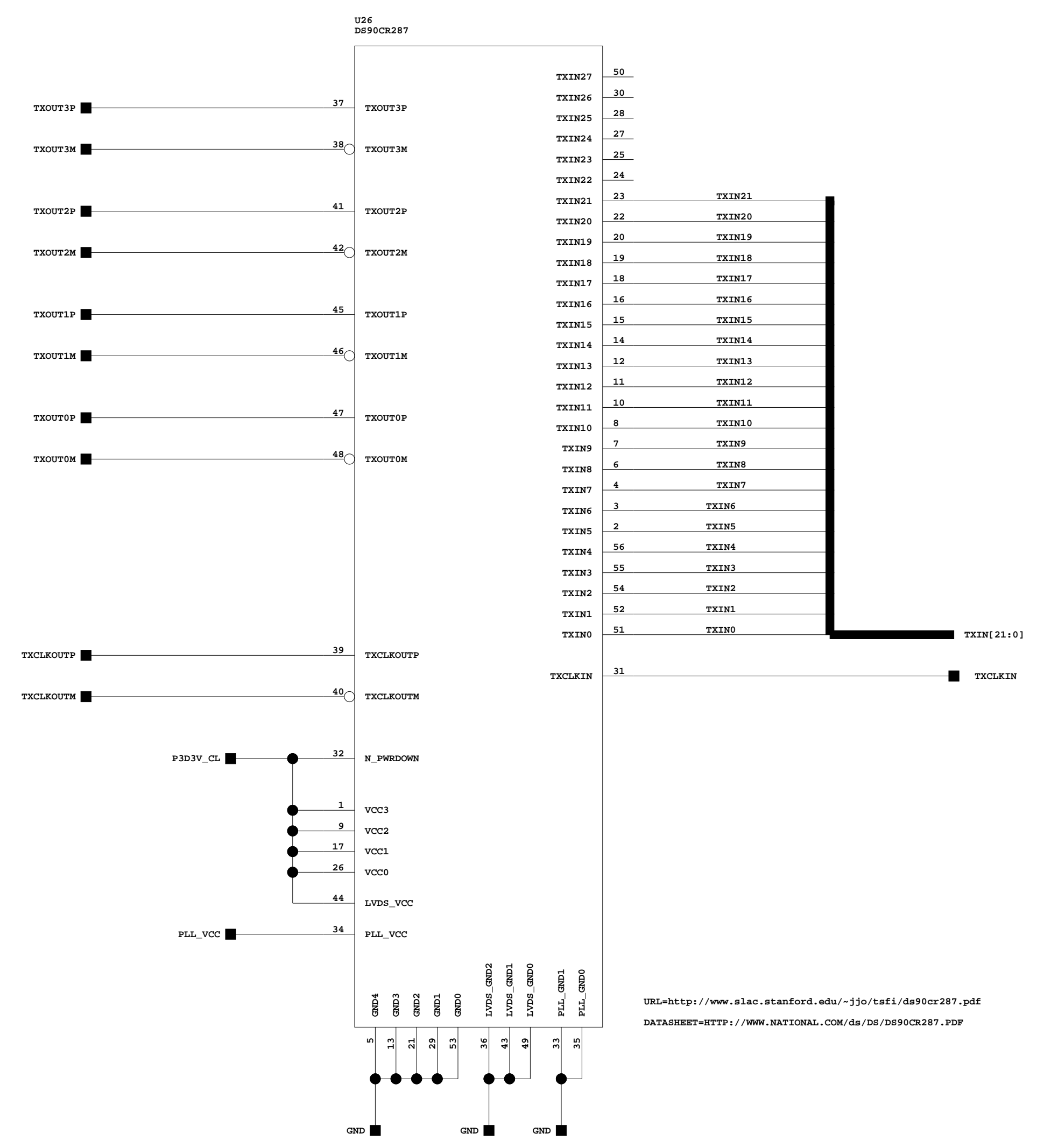
PROPRIETARY DATA OF STANFORD UNIVERSITY AND/OR U.S. DEPARTMENT OF ENERGY. RECIPIENT SHALL NOT PUBLISH THE INFORMATION WITHIN UNLESS GRANTED SPECIFIC PERMISSION OF STANFORD UNIVERSITY.

DATE	APPROVALS
12/12/02	

SHEET OF 11

BABAR
TSF
AUXILIARY BOARD

BABAR TSF AUXILIARY BD



BABAR TSF AUXILIARY BD

STANFORD LINEAR ACCELERATOR CENTER
U.S. DEPARTMENT OF ENERGY
STANFORD UNIVERSITY STANFORD, CALIFORNIA

PROPRIETARY DATA OF STANFORD UNIVERSITY AND/OR U.S. DEPARTMENT OF ENERGY. RECIPIENT SHALL NOT PUBLISH THE INFORMATION WITHIN UNLESS GRANTED SPECIFIC PERMISSION OF STANFORD UNIVERSITY.

DATE	APPROVALS
12/12/02	

BABAR
TSF
AUXILIARY BOARD