

BABAR
GLOBAL TRIGGER
AUXILIARY BOARD 2

STANFORD LINEAR ACCELERATOR CENTER
U.S. DEPARTMENT OF ENERGY
STANFORD UNIVERSITY STANFORD, CALIFORNIA

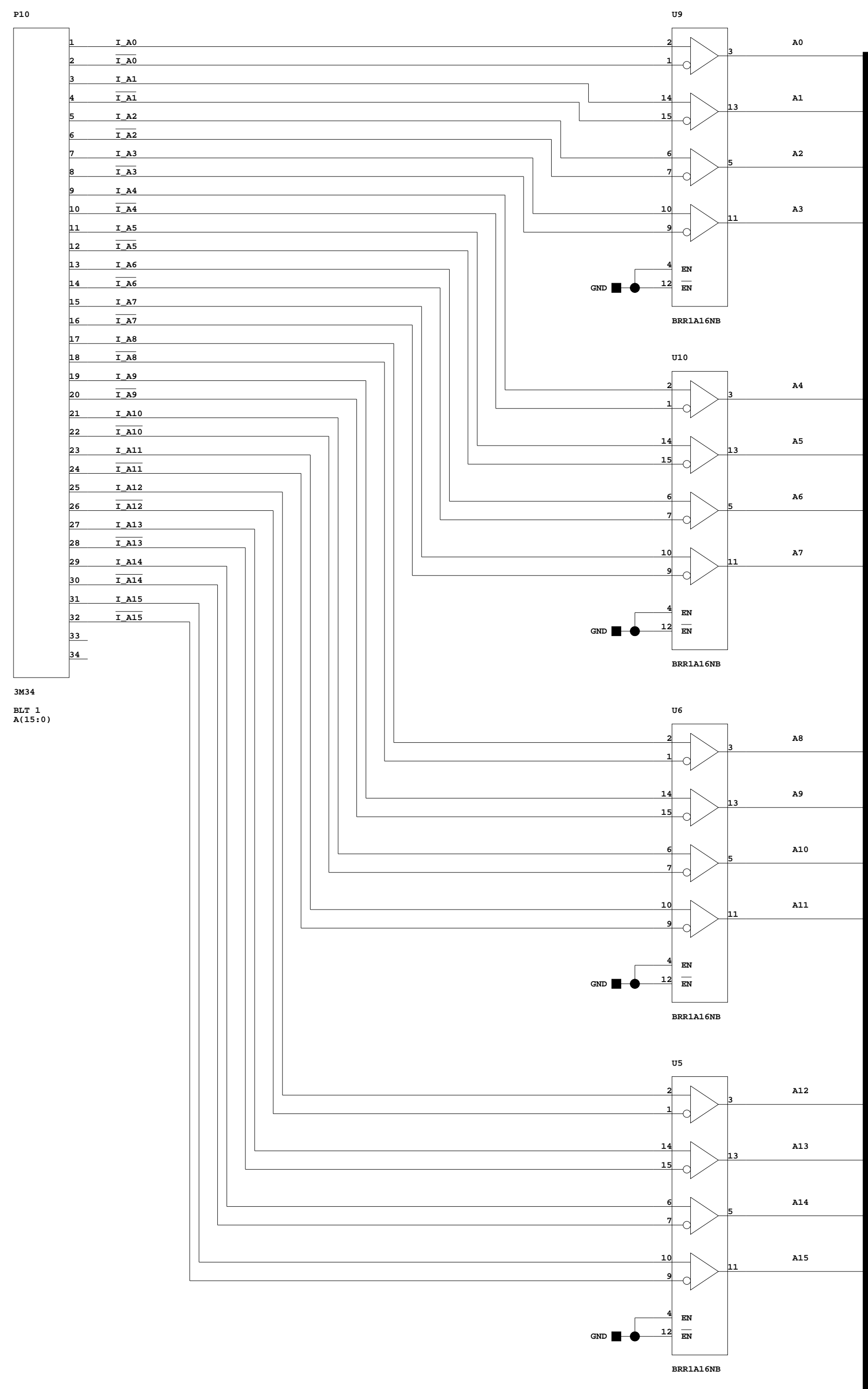
PROPRIETARY DATA OF STANFORD UNIVERSITY AND/OR U.S. DEPARTMENT OF ENERGY. RECIPIENT SHALL NOT PUBLISH THE INFORMATION WITHIN UNLESS GRANTED SPECIFIC PERMISSION OF STANFORD UNIVERSITY.

| DATE | APPROVALS |
|----------|-----------|
| 04/09/02 | |

| | | |
|----------------|----------------|------------|
| BY: Jeff Olsen | DATE: 04/09/02 | APPROVALS: |
| BY: | DATE: | APPROVALS: |
| BY: | DATE: | APPROVALS: |

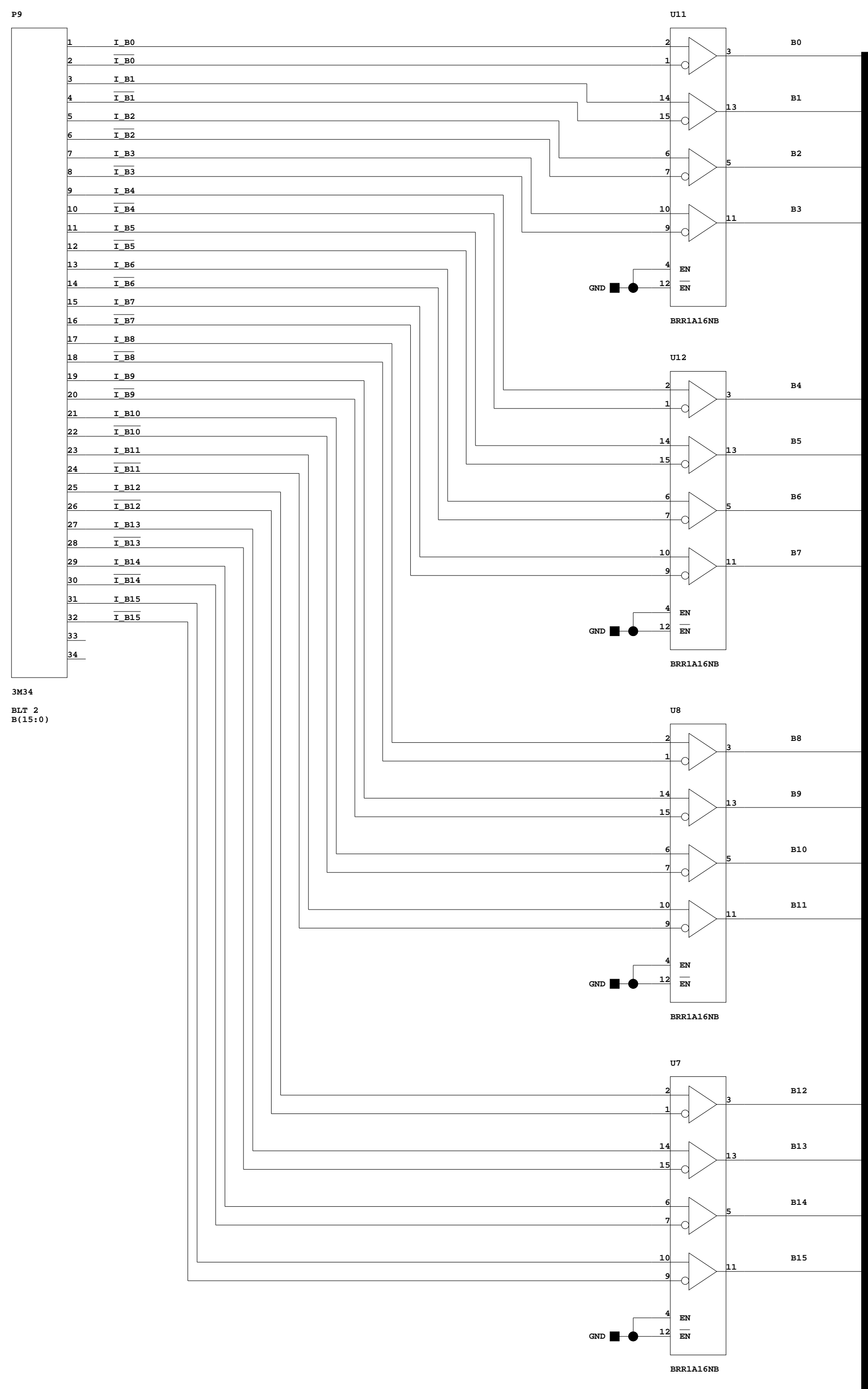
BYPASS CAPS
SHEET-11

BABAR GLT AUXILIARY BD 2



3M34
BLT 1
A(15:0)

A(15:0)



3M34
BLT 2
B(15:0)

B(15:0)

STANFORD LINEAR ACCELERATOR CENTER
U.S. DEPARTMENT OF ENERGY
STANFORD UNIVERSITY STANFORD, CALIFORNIA

PROPRIETARY DATA OF STANFORD UNIVERSITY AND/OR U.S. DEPARTMENT OF ENERGY. RECIPIENT SHALL NOT PUBLISH THE INFORMATION WITHIN UNLESS GRANTED SPECIFIC PERMISSION OF STANFORD UNIVERSITY.

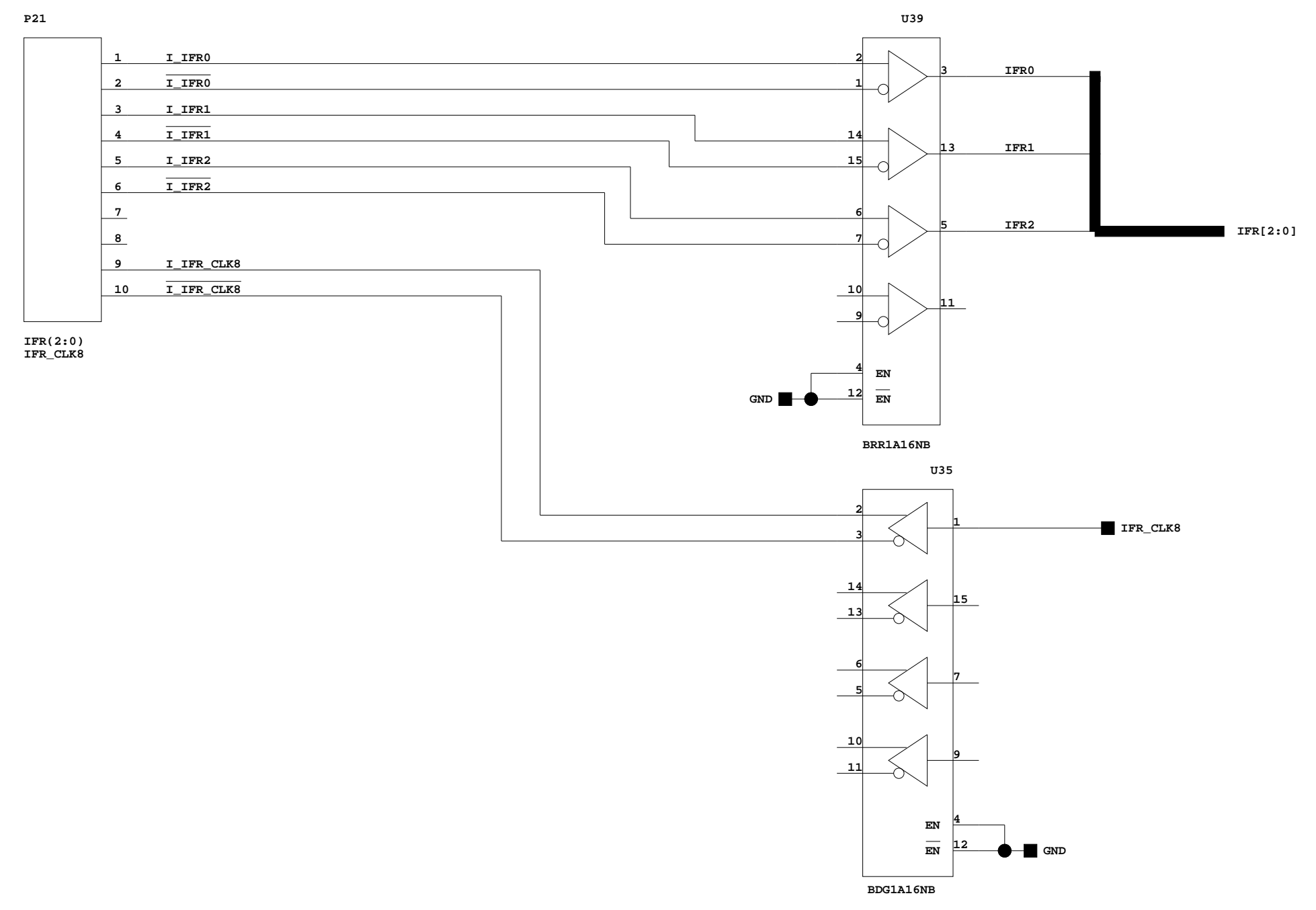
| DATE | APPROVALS |
|----------|-----------|
| 04/09/02 | |

| | | |
|----------------|----------------|------------|
| BY: Jeff Olsen | DATE: 04/09/02 | APPROVALS: |
| CHKD: | | |

BABAR
GLOBAL TRIGGER
AUXILIARY BOARD 2

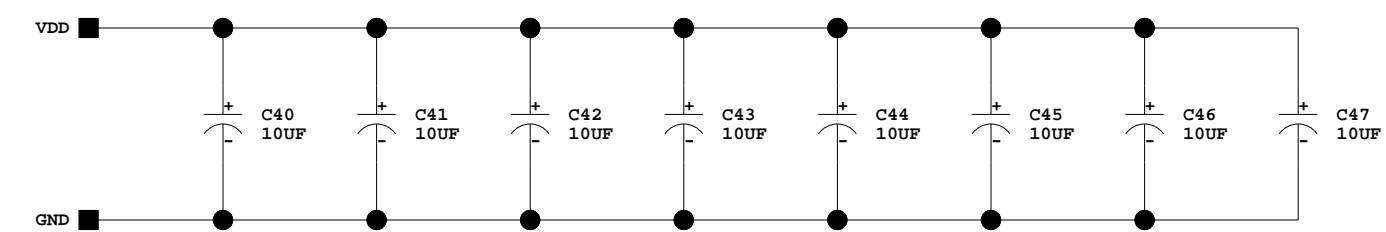
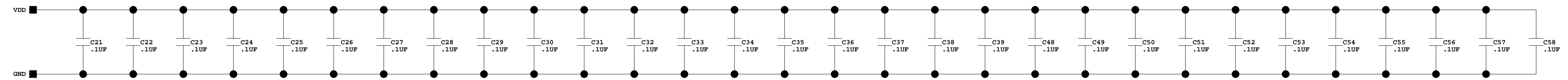
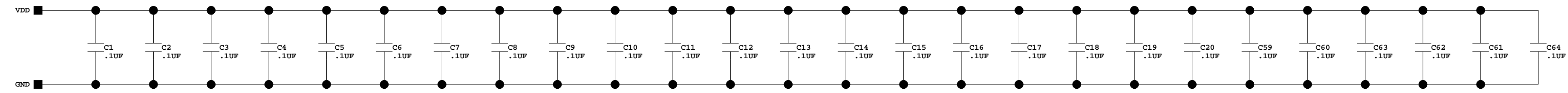
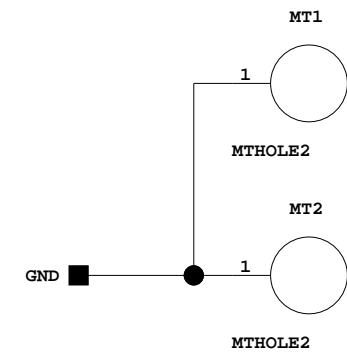
SD-350-755-21-C00

BABAR GLT AUXILIARY BD 2



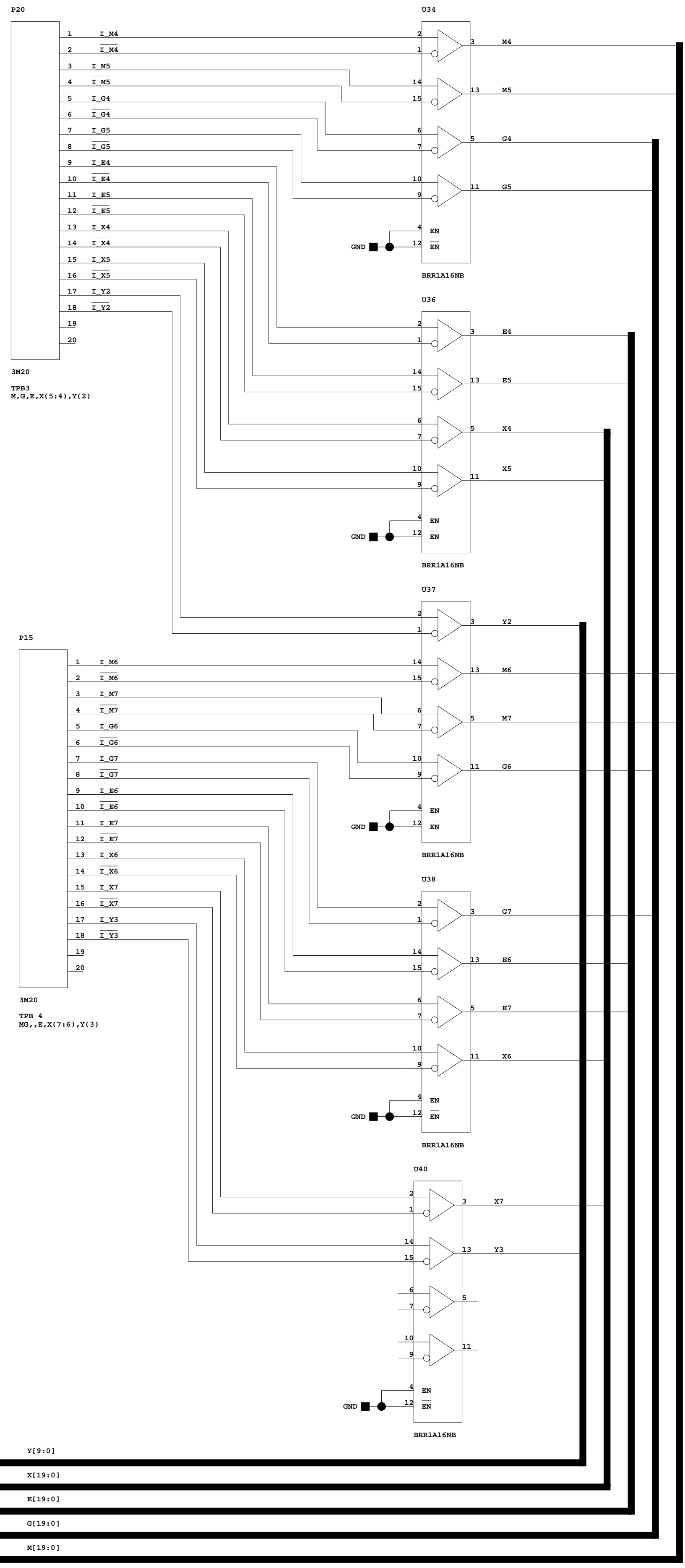
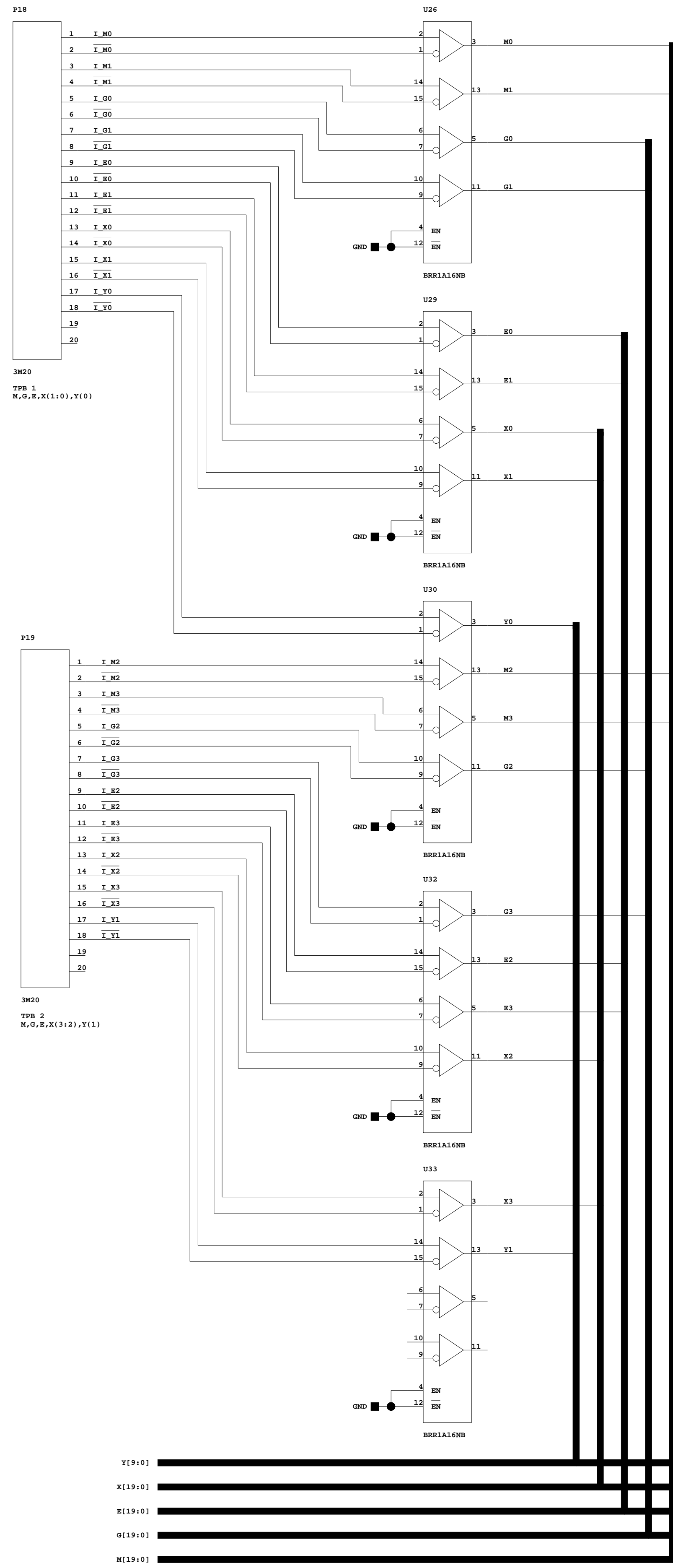
BABAR
GLOBAL TRIGGER
AUXILIARY BOARD 2

| | | |
|---|----------|-----------|
| STANFORD LINEAR ACCELERATOR CENTER U.S. DEPARTMENT OF ENERGY | | |
| STANFORD UNIVERSITY STANFORD, CALIFORNIA | | |
| PROPRIETARY DATA OF STANFORD UNIVERSITY AND/OR U.S. DEPARTMENT OF ENERGY. RECIPIENT SHALL NOT PUBLISH THE INFORMATION WITHIN UNLESS GRANTED SPECIFIC PERMISSION OF STANFORD UNIVERSITY. | | |
| ENGR | DATE | APPROVALS |
| Jeff Olsen | 04/09/02 | |
| OPTR | | |
| CHKR | | |



| | | |
|---|------------|----------------------|
| STANFORD LINEAR ACCELERATOR CENTER U.S. DEPARTMENT OF ENERGY | | |
| STANFORD UNIVERSITY | | STANFORD, CALIFORNIA |
| PROPRIETARY DATA OF STANFORD UNIVERSITY AND/OR U.S. DEPARTMENT OF ENERGY. RECIPIENT SHALL NOT PUBLISH THE INFORMATION WITHIN UNLESS GRANTED SPECIFIC PERMISSION OF STANFORD UNIVERSITY. | | |
| DATE | 04/09/02 | APPROVALS |
| BY | Jeff Olsen | |
| CHKD | | |
| APPV | | |

BABAR
GLOBAL TRIGGER
AUXILIARY BOARD 2



Y[9:0]
X[19:0]
E[19:0]
G[19:0]
M[19:0]

Y[9:0]
X[19:0]
E[19:0]
G[19:0]
M[19:0]

CAL_IN .1 / 3
4-26-2002_9:44

SHEET 4 OF 11

STANFORD LINEAR ACCELERATOR CENTER
U.S. DEPARTMENT OF ENERGY
STANFORD UNIVERSITY STANFORD, CALIFORNIA

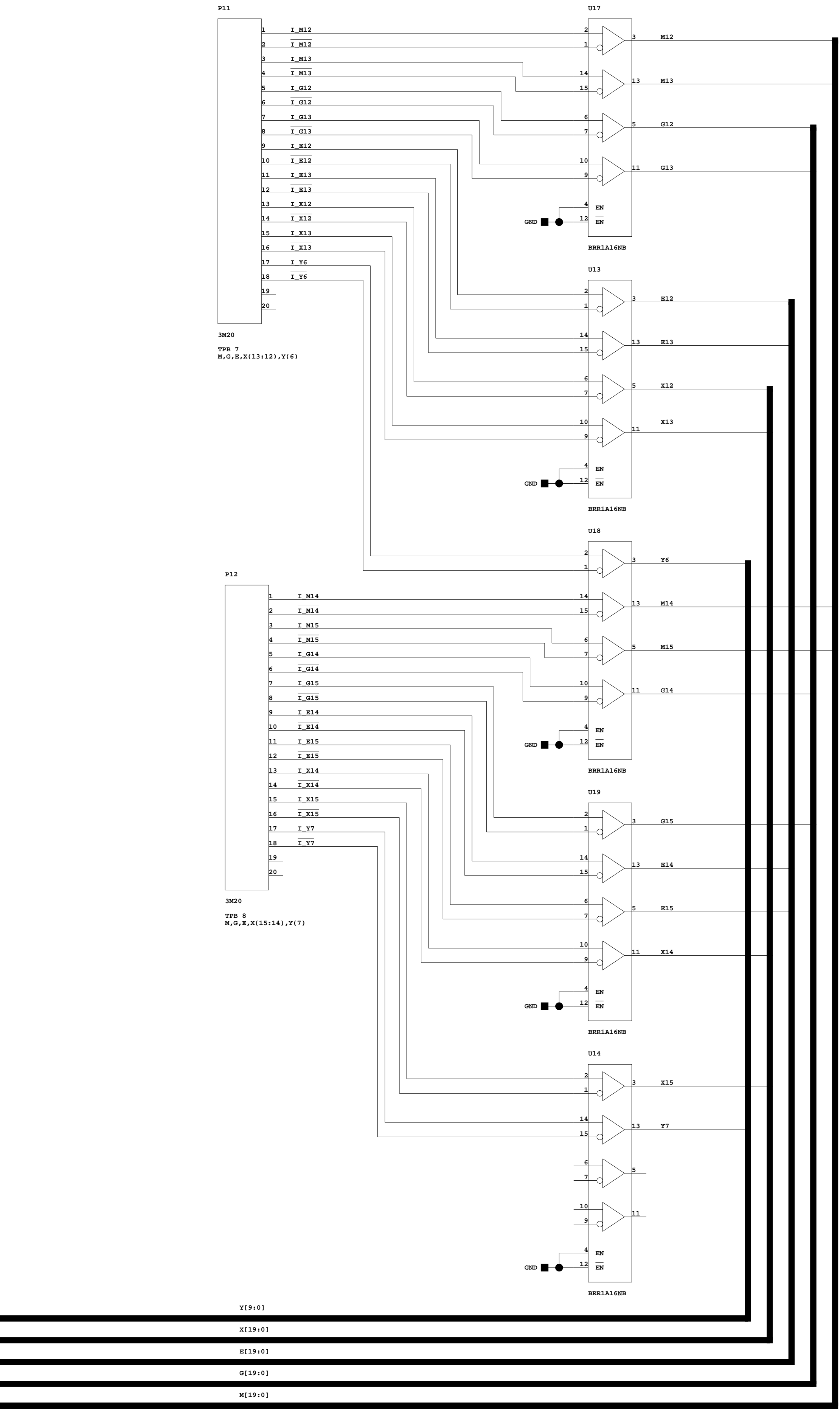
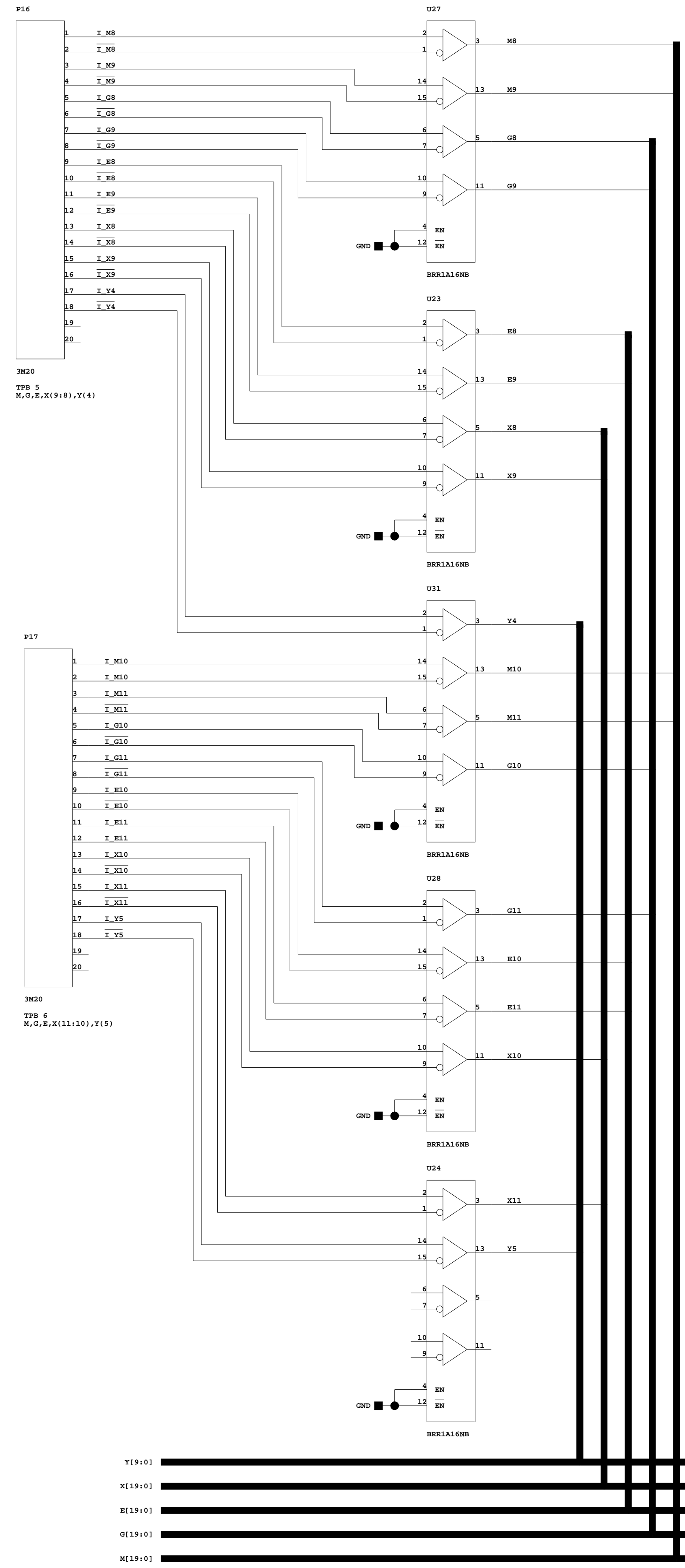
PROPRIETARY DATA OF STANFORD UNIVERSITY AND/OR U.S. DEPARTMENT OF ENERGY. RECIPIENT SHALL NOT PUBLISH THE INFORMATION WITHIN UNLESS GRANTED SPECIFIC PERMISSION OF STANFORD UNIVERSITY.

| DATE | APPROVALS |
|----------|------------|
| 04/09/02 | Jeff Olsen |

BABAR
GLOBAL TRIGGER
AUXILIARY BOARD 2

SD-350-755-21-C00

BABAR GLT AUXILIARY BD 2



Y[9:0]
 X[19:0]
 E[19:0]
 G[19:0]
 M[19:0]

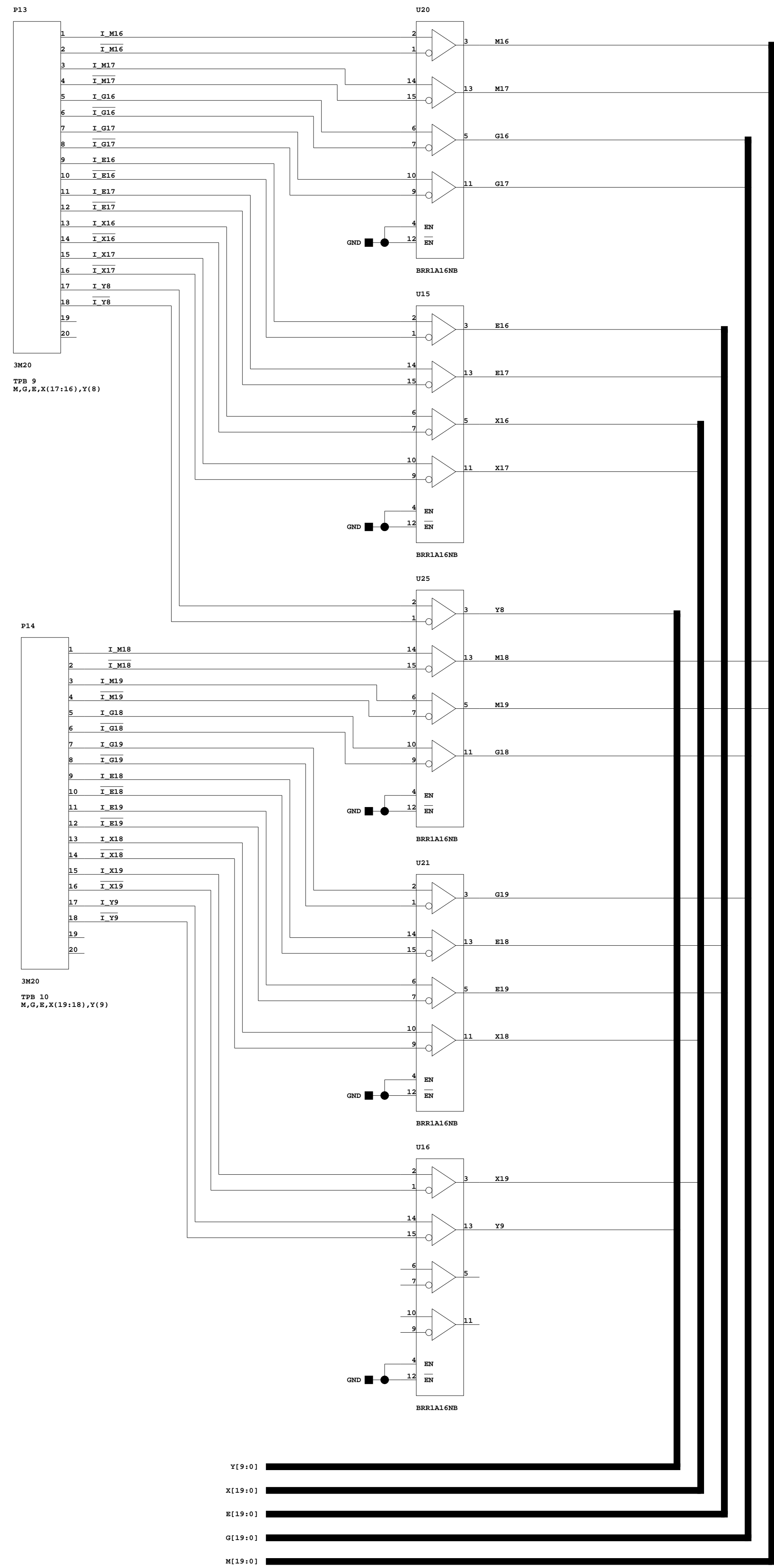
Y[9:0]
 X[19:0]
 E[19:0]
 G[19:0]
 M[19:0]

STANFORD LINEAR ACCELERATOR CENTER
 U.S. DEPARTMENT OF ENERGY
 STANFORD UNIVERSITY STANFORD, CALIFORNIA

PROPRIETARY DATA OF STANFORD UNIVERSITY AND/OR U.S. DEPARTMENT OF ENERGY. RECIPIENT SHALL NOT PUBLISH THE INFORMATION WITHIN UNLESS GRANTED SPECIFIC PERMISSION OF STANFORD UNIVERSITY.

| DATE | APPROVALS |
|----------|------------|
| 04/09/02 | Jeff Olsen |
| | |
| | |

BABAR
GLOBAL TRIGGER
AUXILIARY BOARD 2



CAL_IN .3 / 3
4-26-2002_9:48

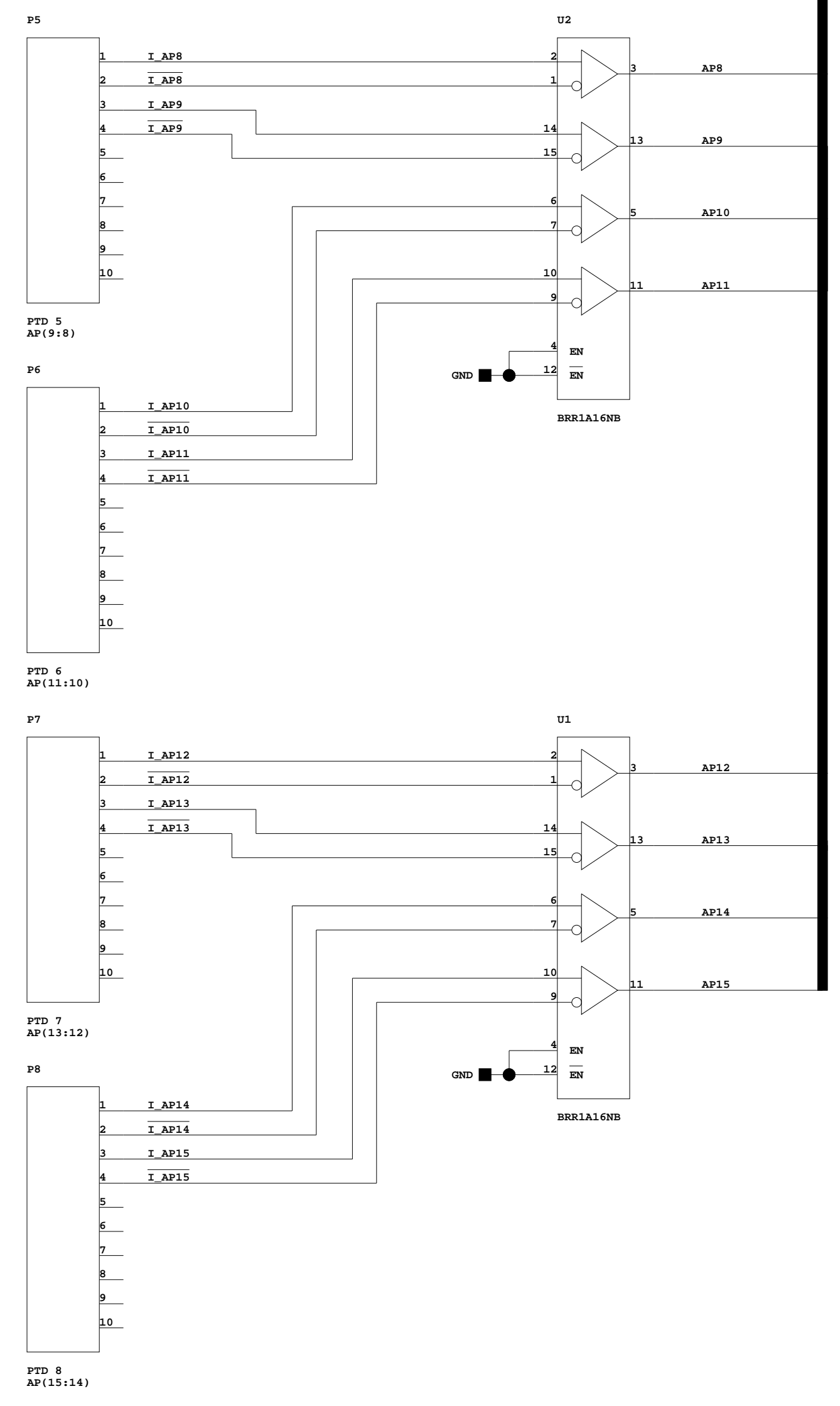
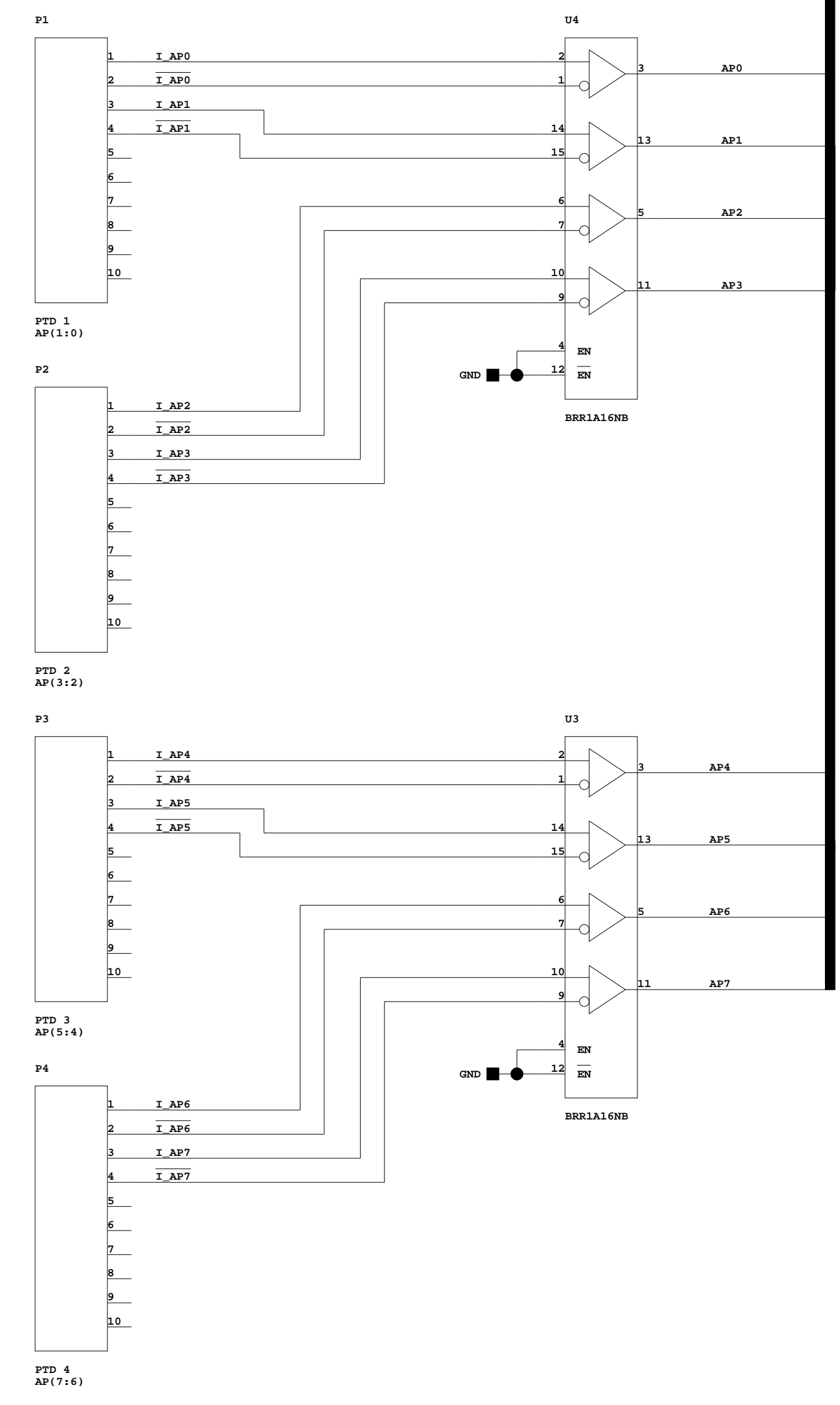
SHEET 6 OF 11

BABAR
GLOBAL TRIGGER
AUXILIARY BOARD 2

| STANFORD LINEAR ACCELERATOR CENTER U.S. DEPARTMENT OF ENERGY | | |
|---|----------------------|-----------|
| STANFORD UNIVERSITY | STANFORD, CALIFORNIA | |
| PROPRIETARY DATA OF STANFORD UNIVERSITY AND/OR U.S. DEPARTMENT OF ENERGY. RECIPIENT SHALL NOT PUBLISH THE INFORMATION WITHIN UNLESS GRANTED SPECIFIC PERMISSION OF STANFORD UNIVERSITY. | | |
| DATE | DATE | APPROVALS |
| BY | 04/09/02 | |
| CHKD | | |
| APPV | | |

SD-350-755-21-C00

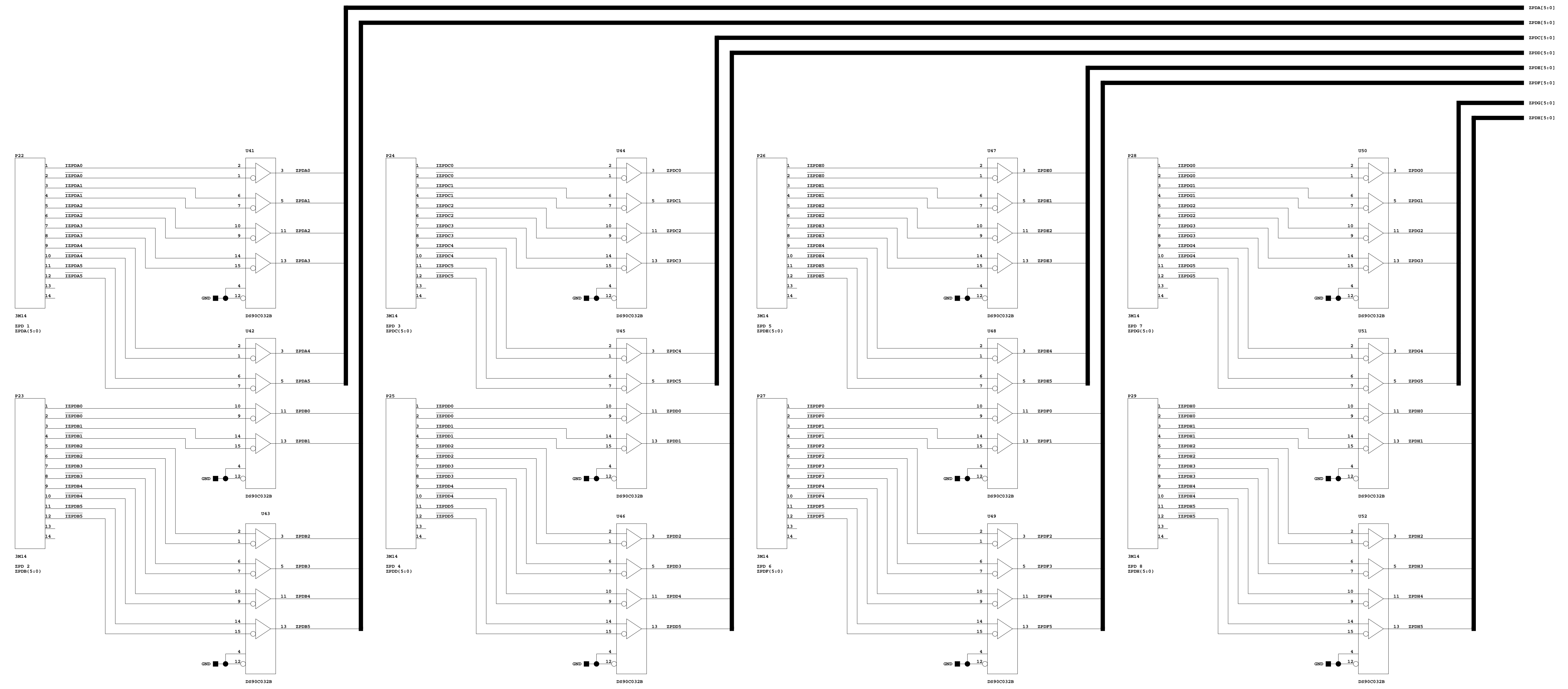
AP(15:0)



BABAR
GLOBAL TRIGGER
AUXILIARY BOARD 2

| | | |
|---|----------------------|-----------|
| STANFORD LINEAR ACCELERATOR CENTER U.S. DEPARTMENT OF ENERGY | | |
| STANFORD UNIVERSITY | STANFORD, CALIFORNIA | |
| PROPRIETARY DATA OF STANFORD UNIVERSITY AND/OR U.S. DEPARTMENT OF ENERGY. RECIPIENT SHALL NOT PUBLISH THE INFORMATION WITHIN UNLESS GRANTED SPECIFIC PERMISSION OF STANFORD UNIVERSITY. | | |
| ENGR | DATE | APPROVALS |
| Jeff Olsen | 04/09/02 | |
| DATE | | |
| CHKD | | |

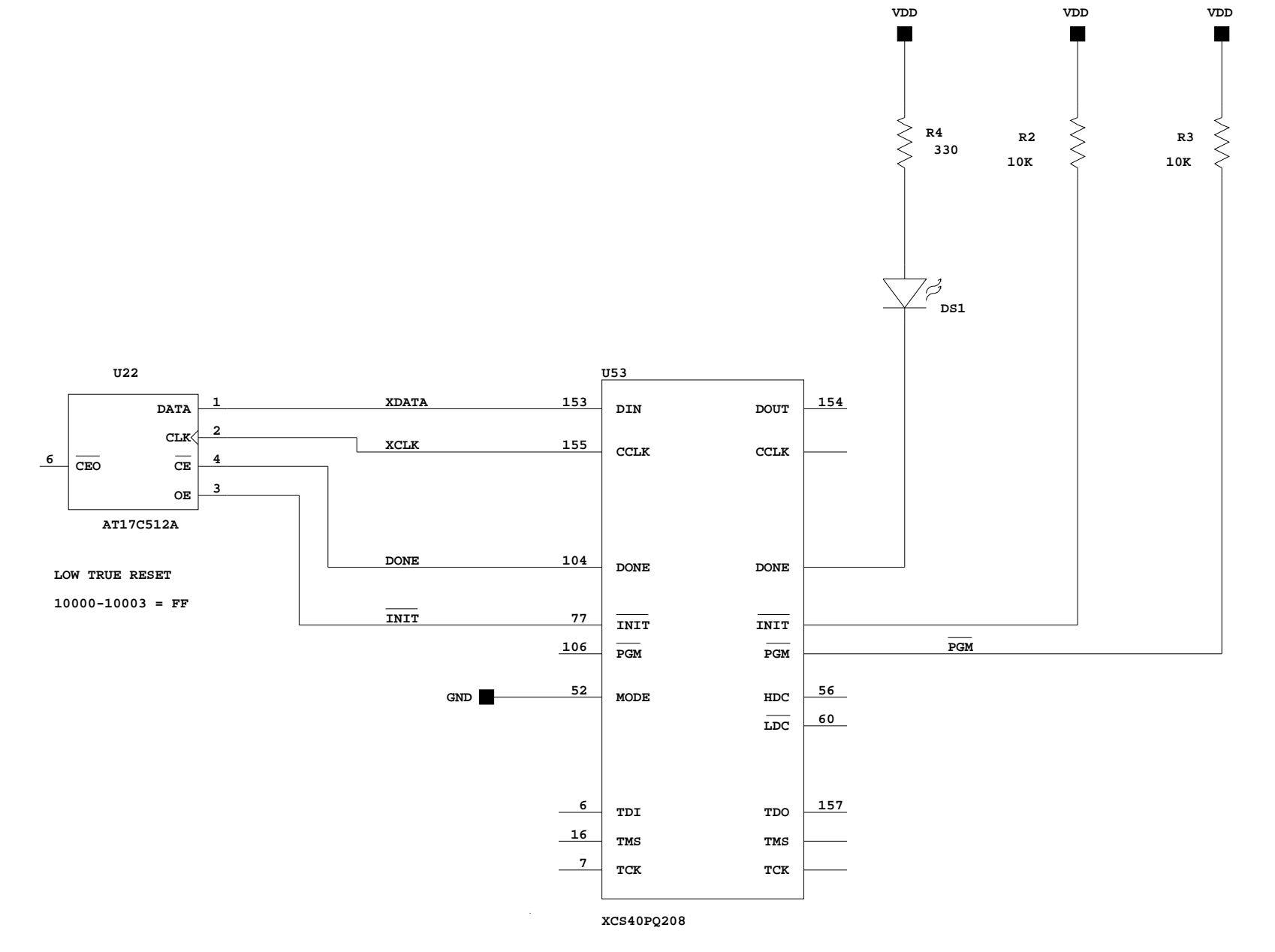
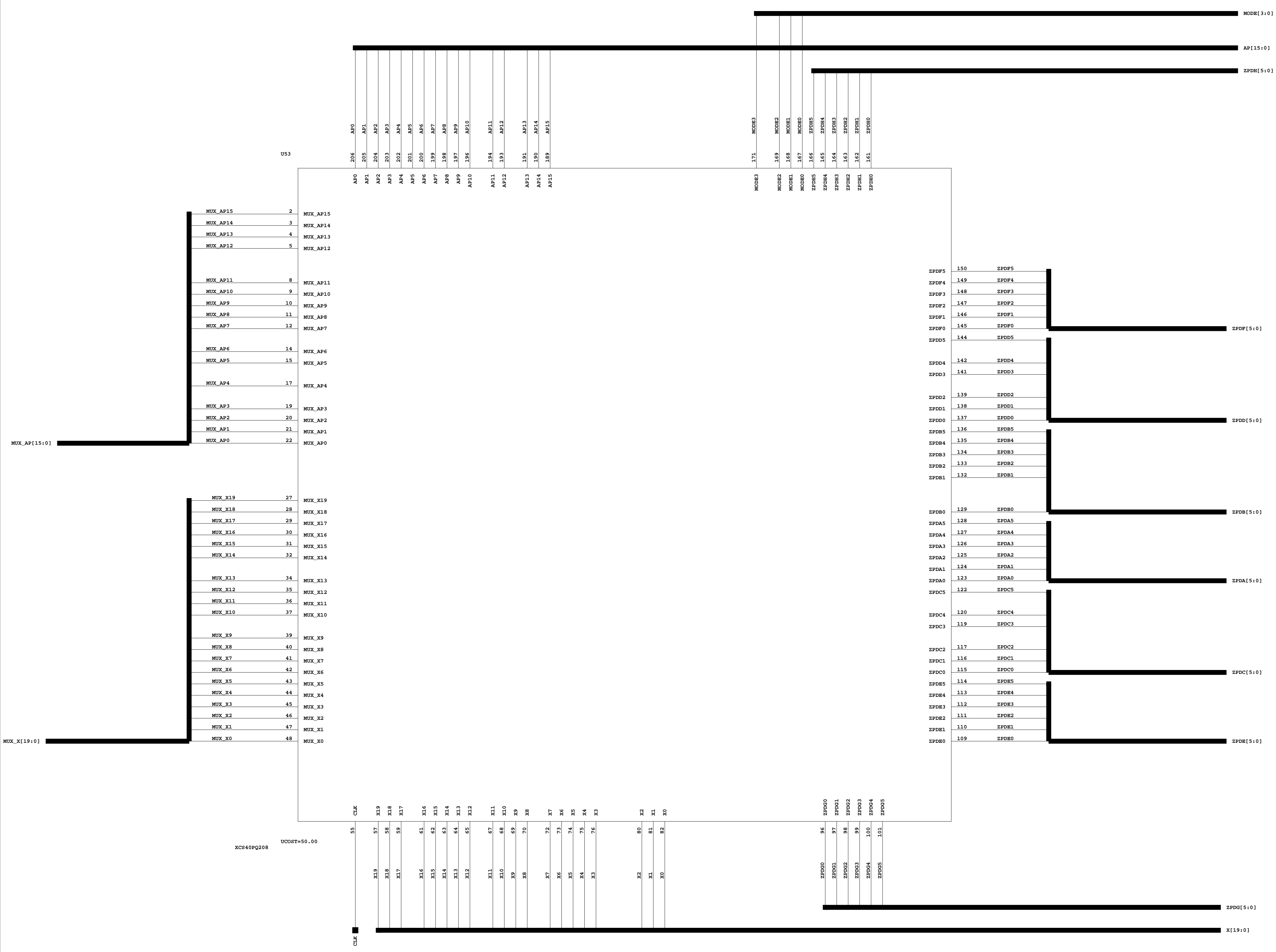
BABAR GLT AUXILIARY BD 2



| | | |
|---|----------|----------------------|
| STANFORD LINEAR ACCELERATOR CENTER U.S. DEPARTMENT OF ENERGY | | |
| STANFORD UNIVERSITY | | STANFORD, CALIFORNIA |
| PROPRIETARY DATA OF STANFORD UNIVERSITY AND/OR U.S. DEPARTMENT OF ENERGY. RECIPIENT SHALL NOT PUBLISH THE INFORMATION WITHIN UNLESS GRANTED SPECIFIC PERMISSION OF STANFORD UNIVERSITY. | | |
| DATE | DATE | APPROVALS |
| BY: Jeff Olsen | 04/09/02 | |
| CHKD: | | |

BABAR
GLOBAL TRIGGER
AUXILIARY BOARD 2

SD-350-755-21-C00

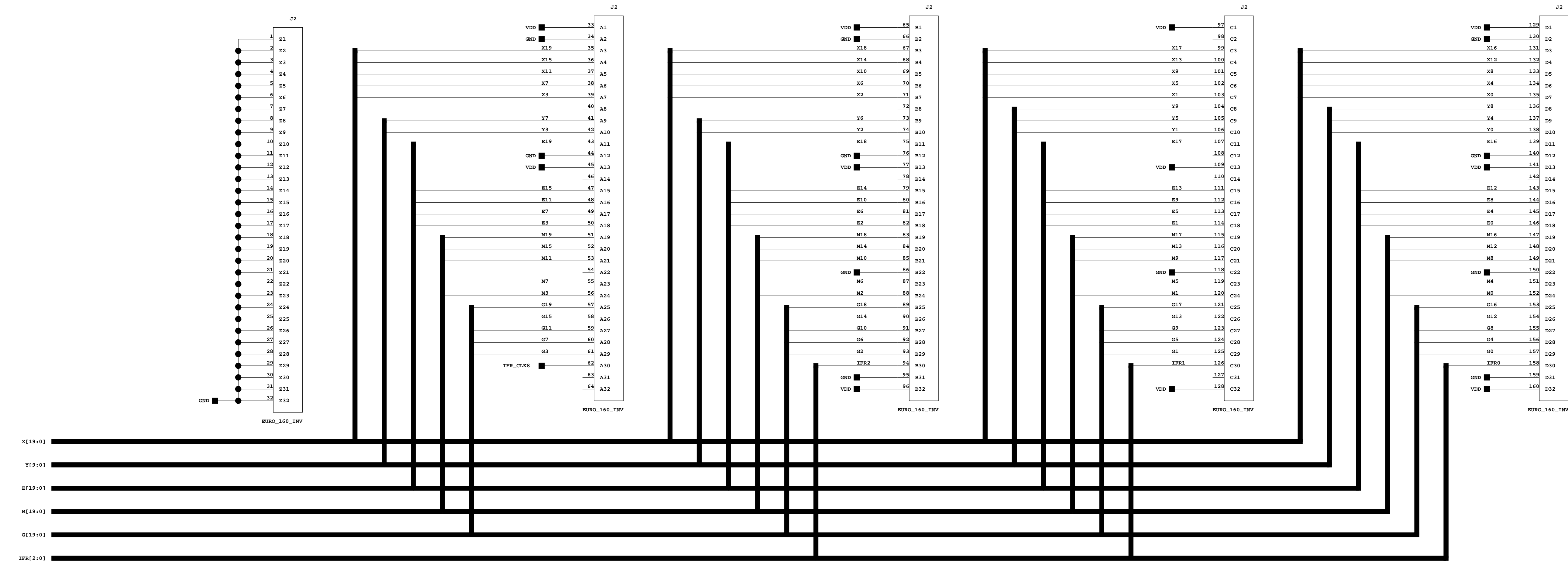
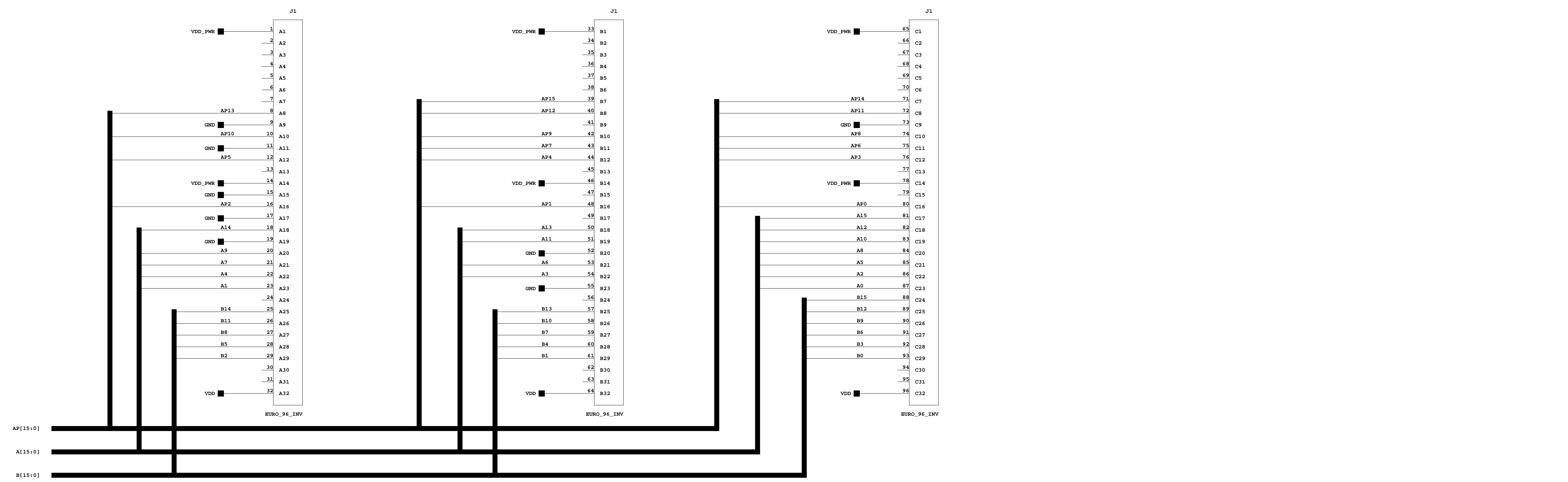


STANFORD LINEAR ACCELERATOR CENTER
U.S. DEPARTMENT OF ENERGY
STANFORD UNIVERSITY STANFORD, CALIFORNIA

PROPRIETARY DATA OF STANFORD UNIVERSITY AND/OR U.S. DEPARTMENT OF ENERGY. RECIPIENT SHALL NOT PUBLISH THE INFORMATION WITHIN UNLESS GRANTED SPECIFIC PERMISSION OF STANFORD UNIVERSITY.

| INCR | DATE | APPROVALS |
|------|----------|------------|
| 001 | 04/09/02 | Jeff Olsen |
| 002 | | |
| 003 | | |

BABAR
GLOBAL TRIGGER
AUXILIARY BOARD 2



GLTM_INPUT .1 / 1

4-9-2002_9:34

SHEET 10 OF 11

STANFORD LINEAR ACCELERATOR CENTER
U.S. DEPARTMENT OF ENERGY
STANFORD UNIVERSITY STANFORD, CALIFORNIA

PROPRIETARY DATA OF STANFORD UNIVERSITY AND/OR U.S. DEPARTMENT OF ENERGY. RECIPIENT SHALL NOT PUBLISH THE INFORMATION WITHIN UNLESS GRANTED SPECIFIC PERMISSION OF STANFORD UNIVERSITY.

| DATE | APPROVALS |
|----------|-----------|
| 04/09/02 | |

| | | |
|----------------|----------------|------------|
| BY: Jeff Olsen | DATE: 04/09/02 | APPROVALS: |
| CHKD: | | |

BABAR
GLOBAL TRIGGER
AUXILIARY BOARD 2

SD-350-755-21-C00

BABAR GLT AUXILIARY BD 2