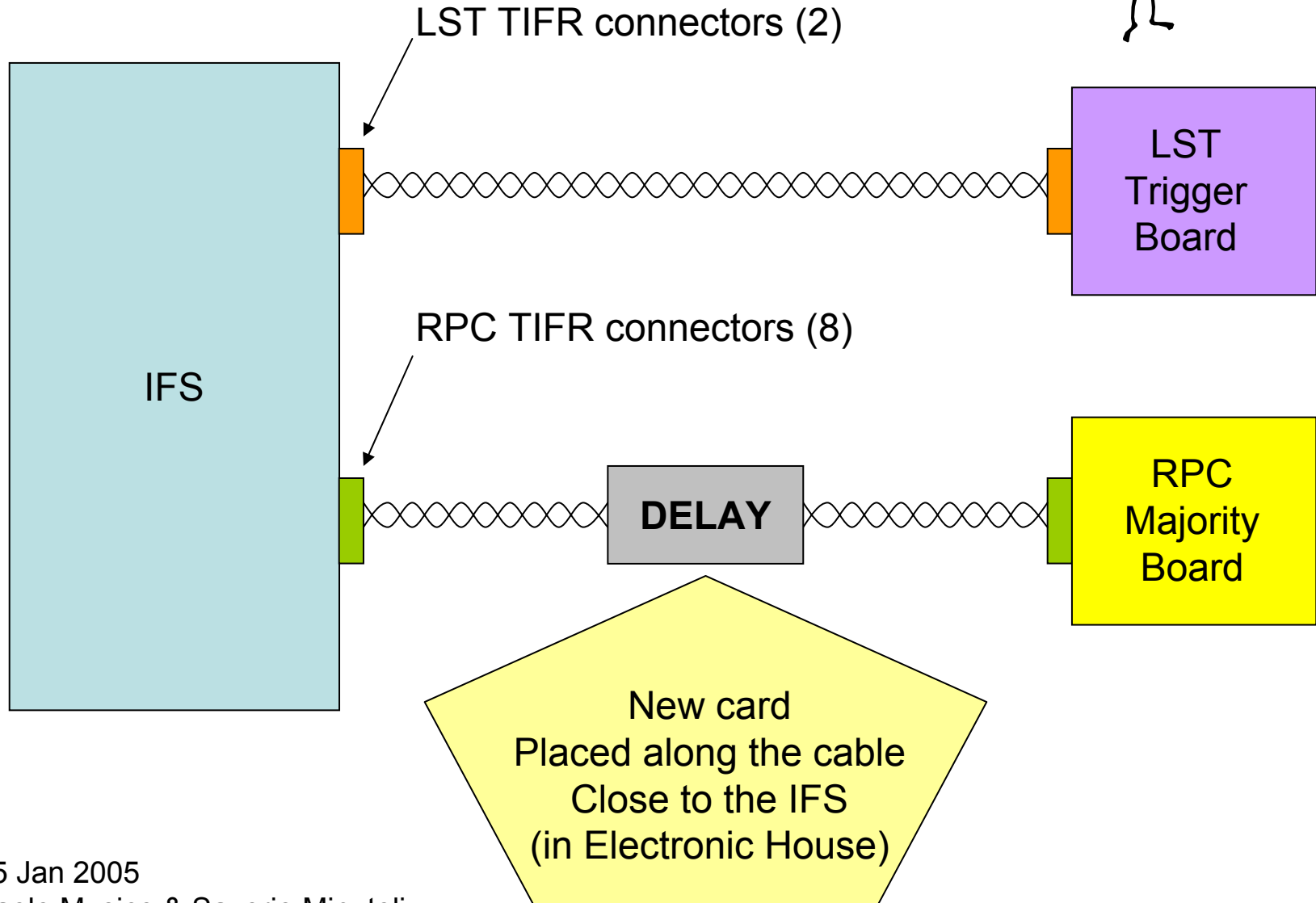
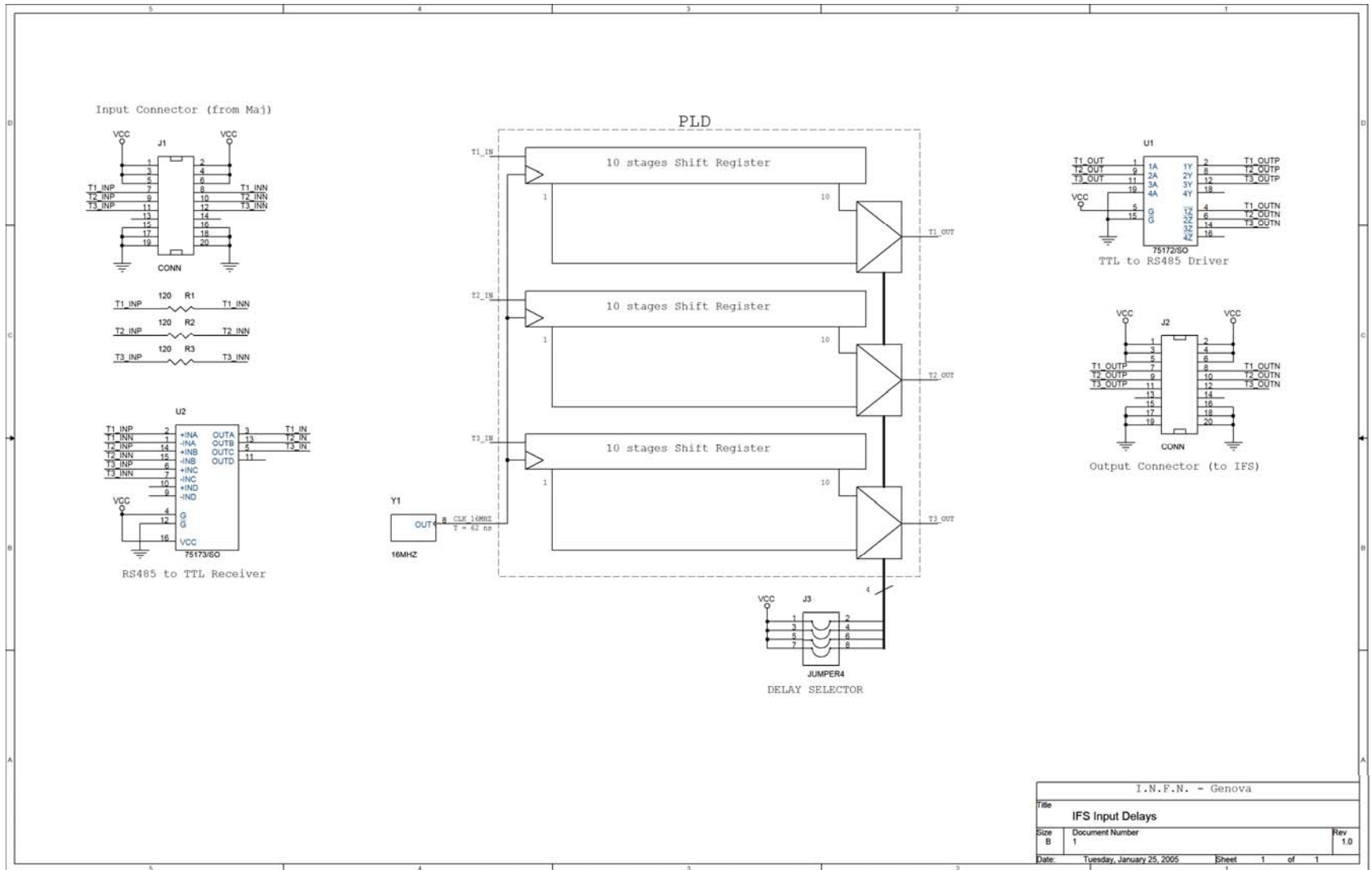


Idea for a temporarily solution



DELAY Block Diagram



I.N.F.N. - Genova		
Title	IFS Input Delays	
Size	Document Number	Rev
B	1	1.0
Date	Tuesday, January 25, 2005	Sheet 1 of 1

Schedule, cost, questions

Cost estimation for 10 pieces based on Italian distributors and manufacturers:
≈ 1500 US\$

Delivery time estimation based on Italian INFN workshops:
≥ 45 days

Due date to BaBar ???

Who will implement this idea ???

