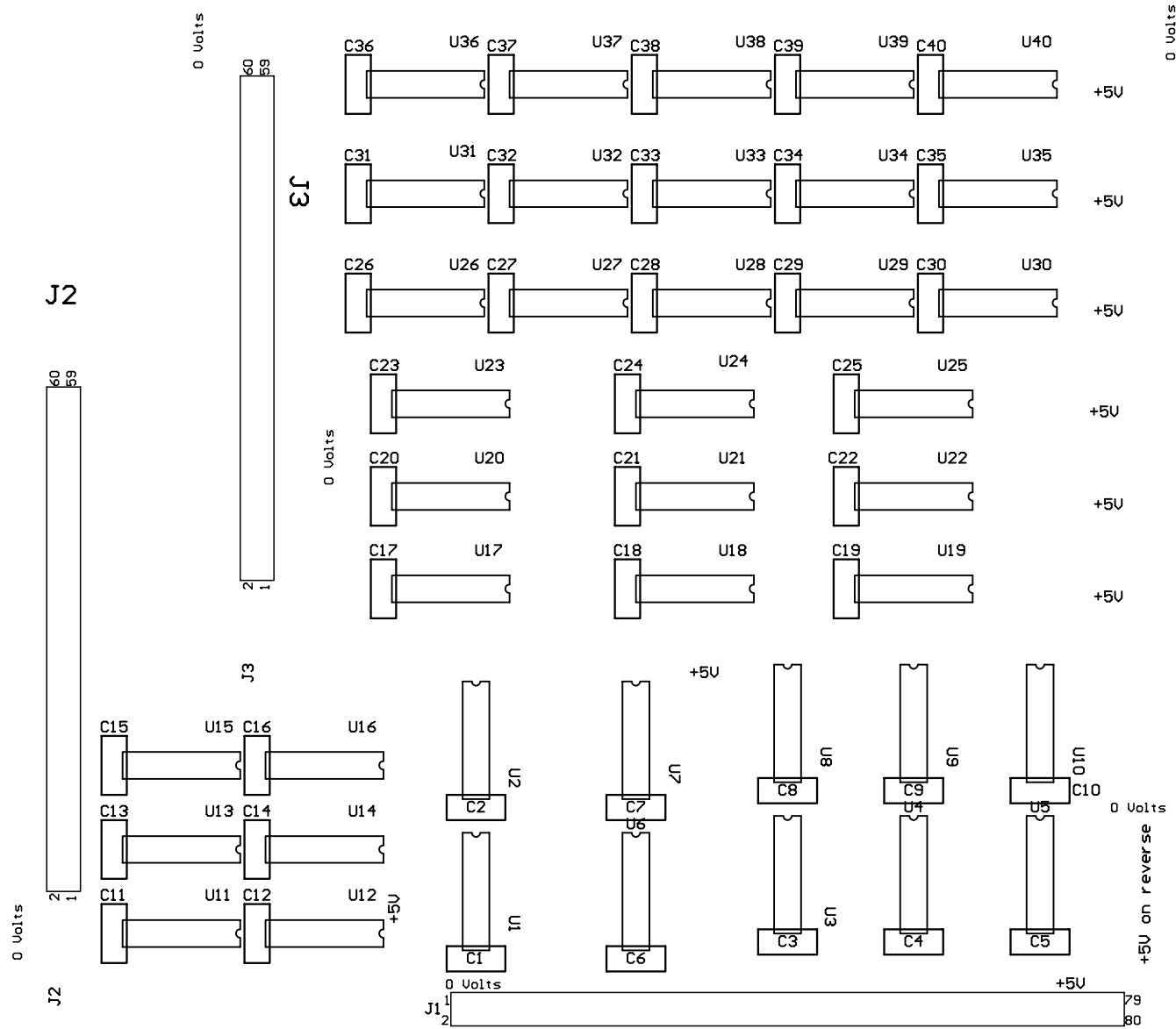


# BATMAN-4 Line drivers for output to SIAMS

Designed by Alexandre (Sasha) Telnov (avtelnov@lbl.gov)

Lawrence Berkeley National Laboratory, 1998

6500 (mil)



7300 (mil)

