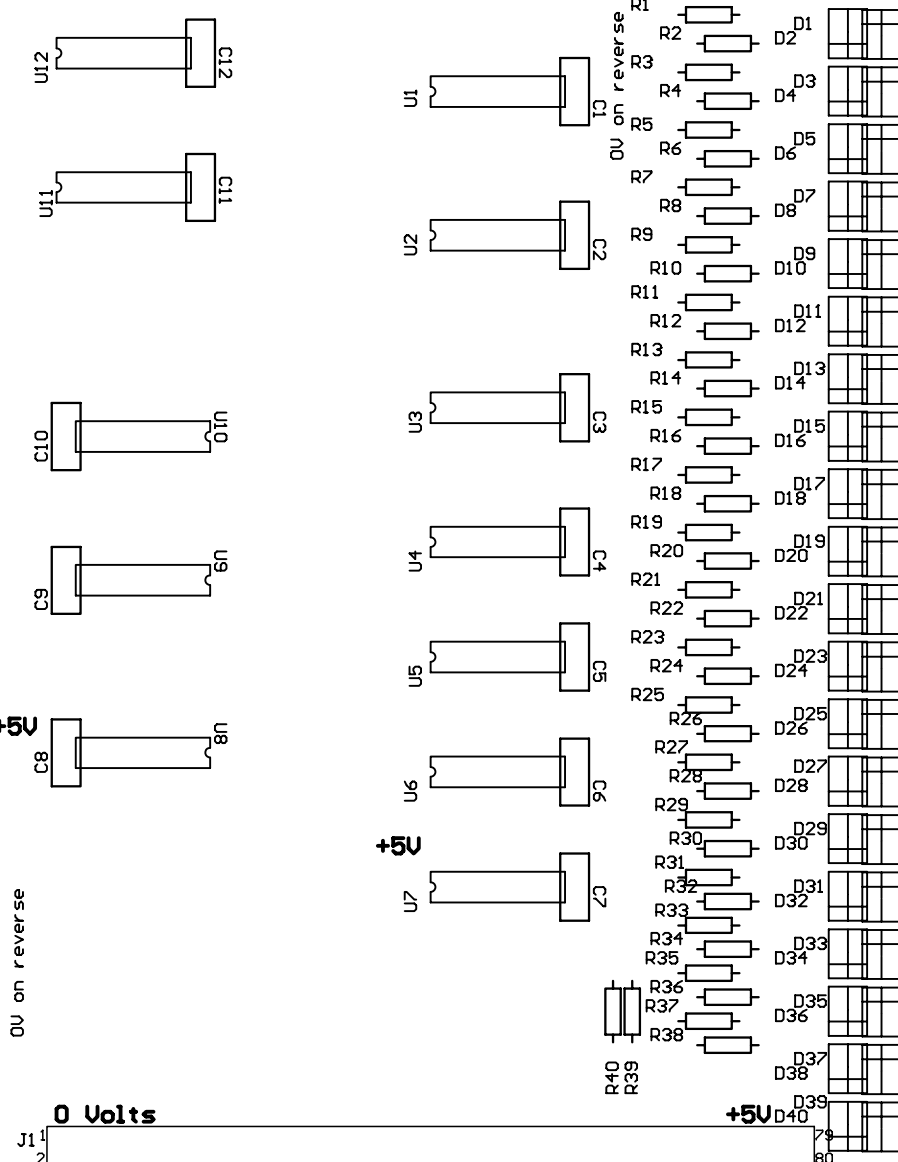


BATMAN-2 Water sensor monitor

Designed by Alexandre (Sasha) Telnov (avtelnov@lbl.gov)

Laurence Berkeley National Laboratory, 1998

6700 (mil)



5000 (mil)

