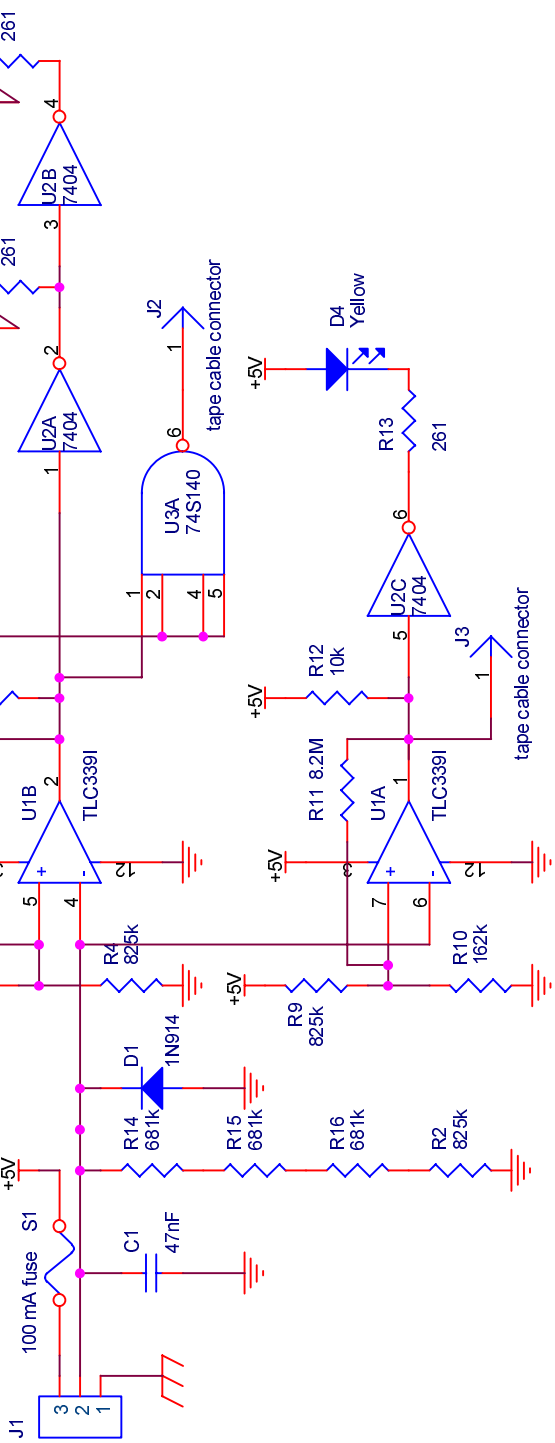
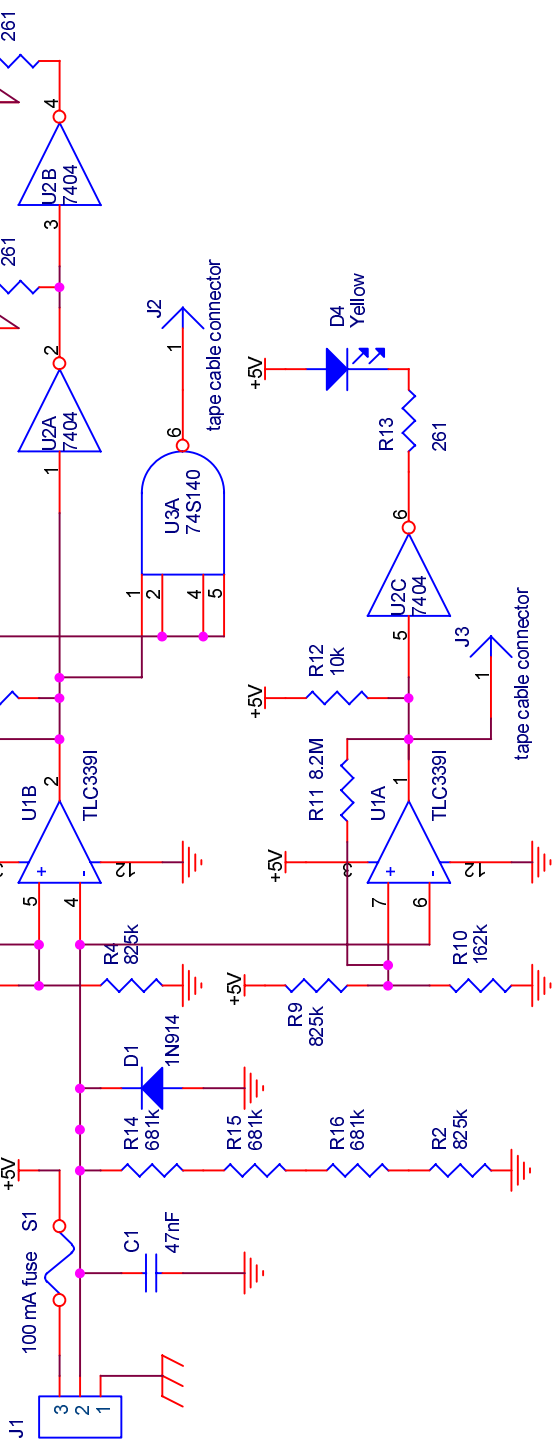


This is a connector for a 5-10 m shielded twisted pair cable that goes inside DIRC and has a pair of electrodes and a 5.1M 5% carbon film resistor at the other end (wires 2 and 3)

STP connector
J1



STP connector
J4



+5V

+5V

+5V

+5V

+5V

+5V

+5V

+5V

Title		Schematics of the water leak detector for DIRC: the Ohm-meter card	
Size	A	Document Number	Created by Sasha Teinov (avteinov@lbl.gov)
Date:	Tuesday, August 04, 1998	Sheet	1 of 1

Rev
1.0