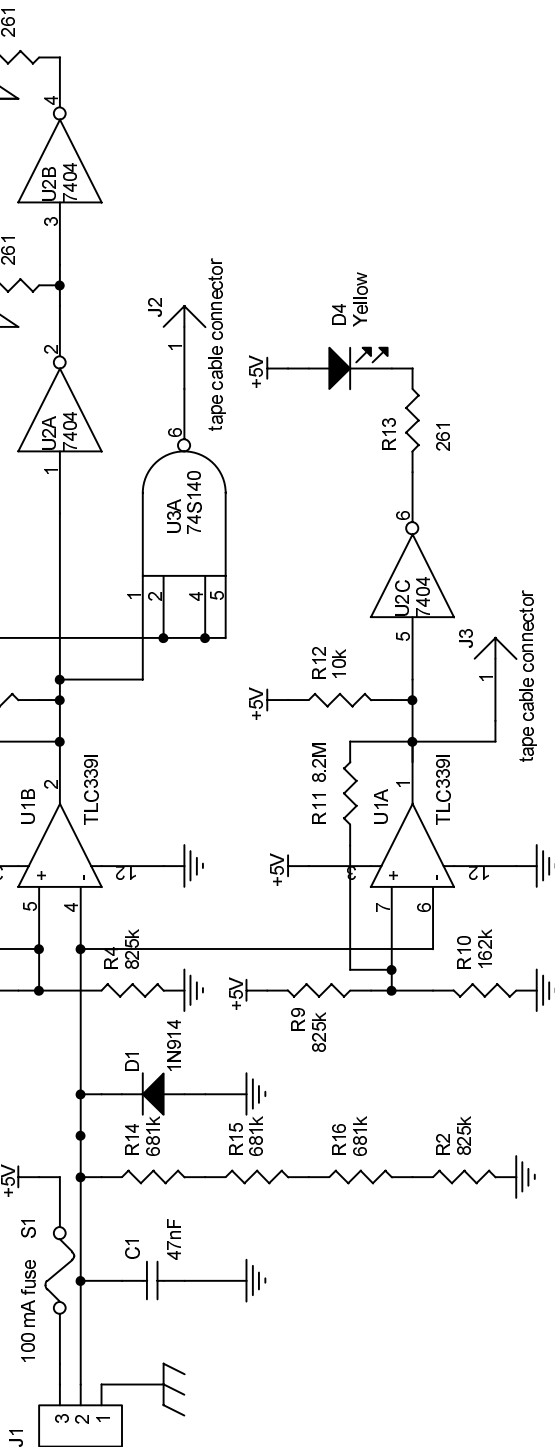
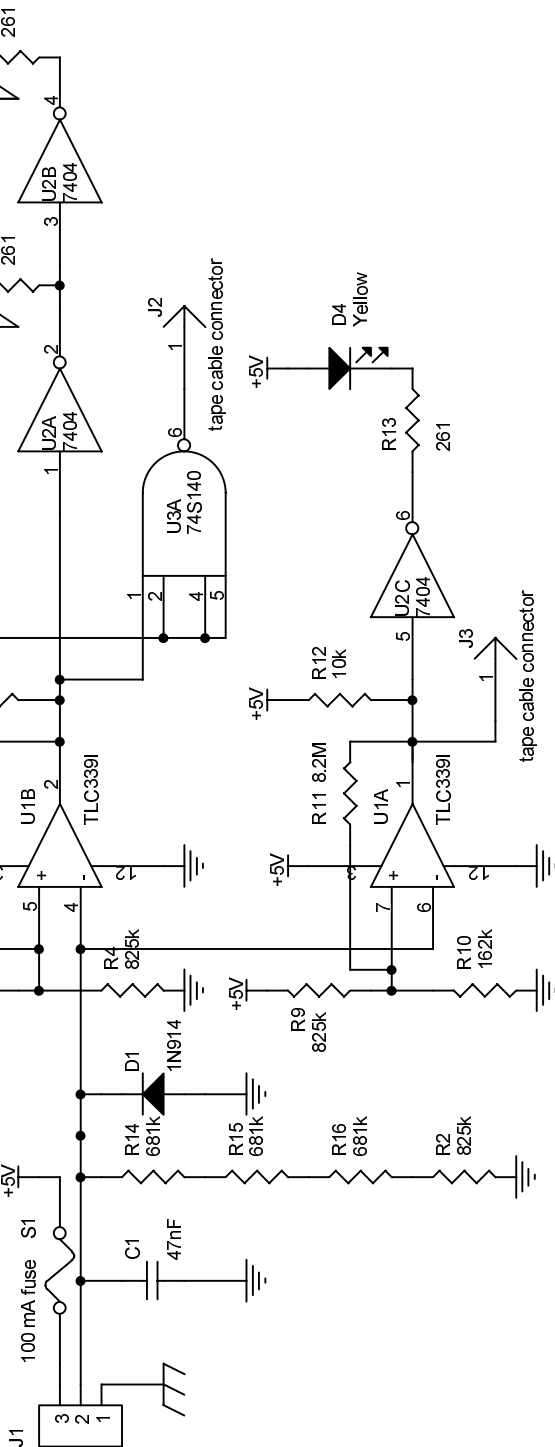


This is a connector for a 5-10 m shielded twisted pair cable that goes inside DIRC and has a pair of electrodes and a 5.1M Ω carbon film resistor at the other end (wires 2 and 3)

STP connector J1



STP connector J4



Title		Schematics of the water leak detector for DIRC: the Ohm-meter card	
Size	A	Document Number	
Created by	Sasha Telnov (avtelnov@lbl.gov)	Rev	1.0
Date:	Tuesday, August 04, 1998	Sheet	1 of 1