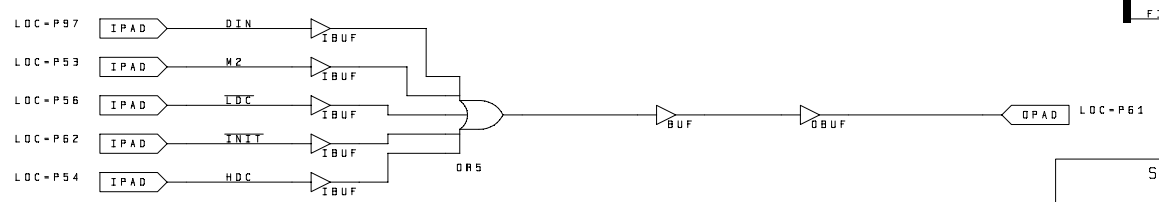


- INTT
- CLK
- M2
- M0
- D/P
- PWRDN
- RESET

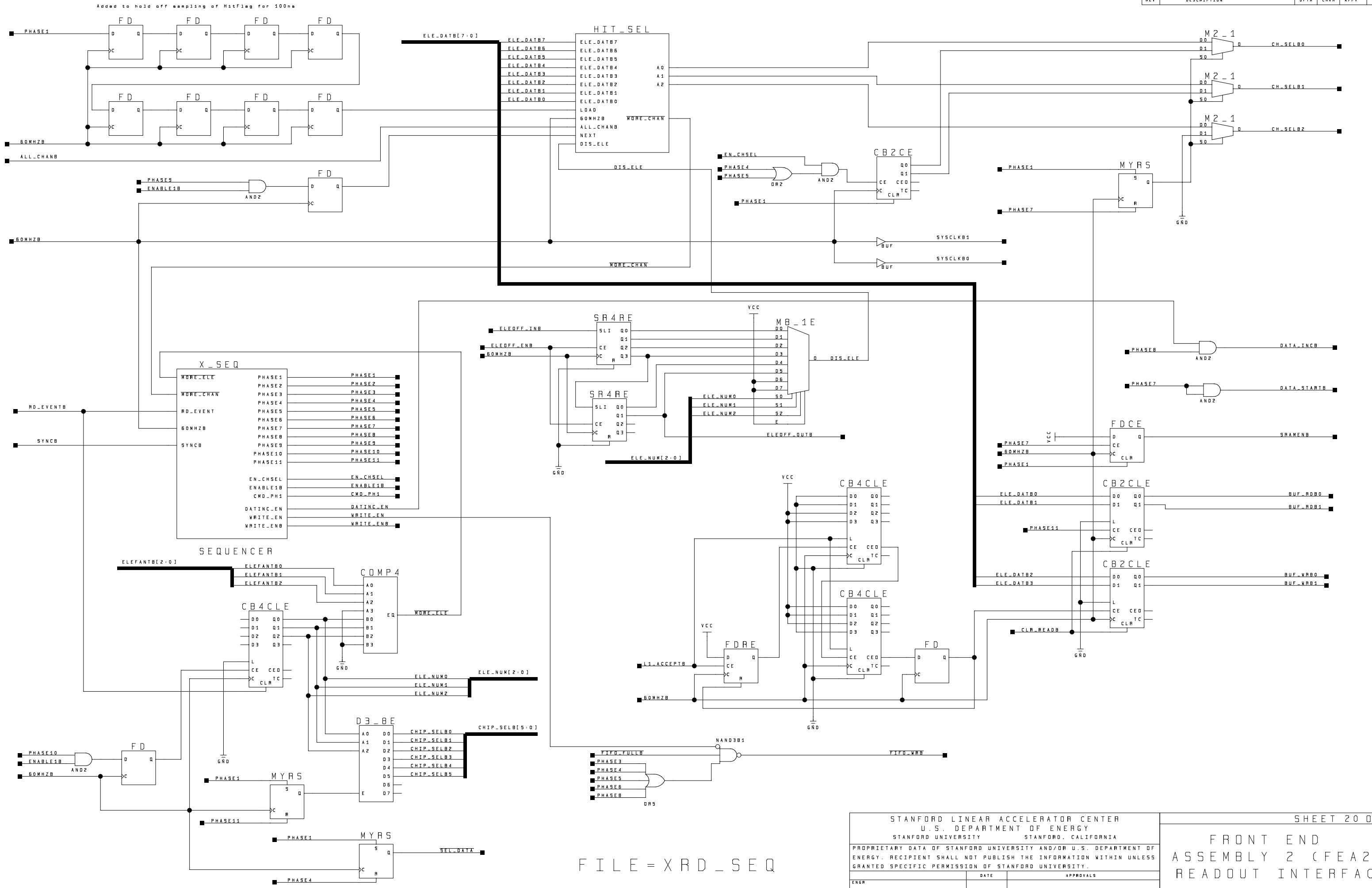


PACKAGE = XC3142A-VQFP  
 FILE = XIL\_FEA1\_SLV

STANFORD LINEAR ACCELERATOR CENTER  
 U.S. DEPARTMENT OF ENERGY  
 STANFORD UNIVERSITY STANFORD, CALIFORNIA

PROPRIETARY DATA OF STANFORD UNIVERSITY AND/OR U.S. DEPARTMENT OF ENERGY. RECIPIENT SHALL NOT PUBLISH THE INFORMATION WITHIN UNLESS GRANTED SPECIFIC PERMISSION OF STANFORD UNIVERSITY.

ENGR	DATE	APPROVALS
DFTN		
CHKR		



FILE = XRD\_SEQ

DATE = MARCH 31, 1997

STANFORD LINEAR ACCELERATOR CENTER  
 U.S. DEPARTMENT OF ENERGY  
 STANFORD UNIVERSITY STANFORD, CALIFORNIA

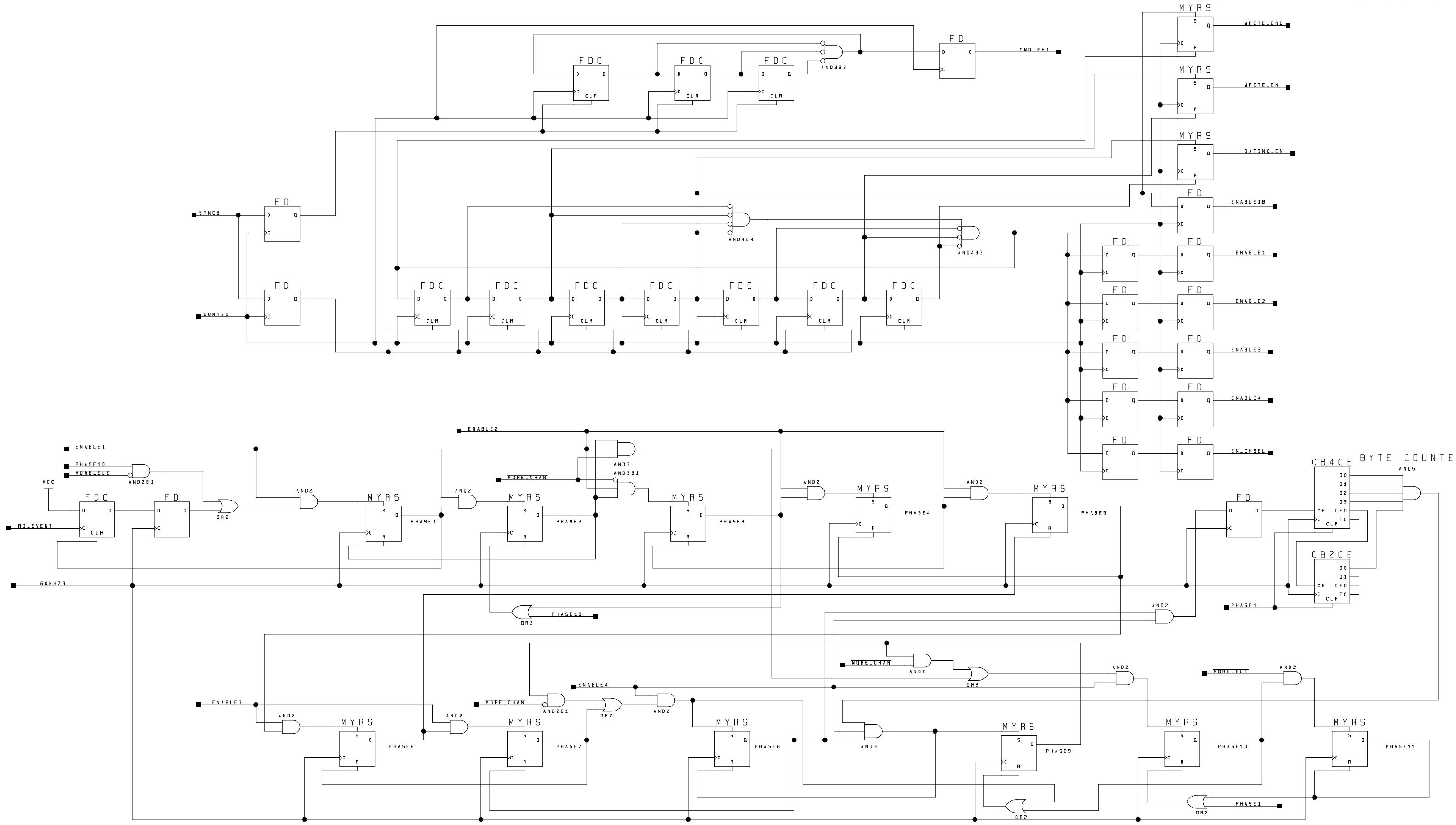
PROPRIETARY DATA OF STANFORD UNIVERSITY AND/OR U.S. DEPARTMENT OF ENERGY. RECIPIENT SHALL NOT PUBLISH THE INFORMATION WITHIN UNLESS GRANTED SPECIFIC PERMISSION OF STANFORD UNIVERSITY.

ENGR	DATE	APPROVALS
DFTR		
CKR		

SHEET 20 OF 24

FRONT END  
 ASSEMBLY 2 (FEA2)  
 READOUT INTERFACE

SD-350-706-25-C01



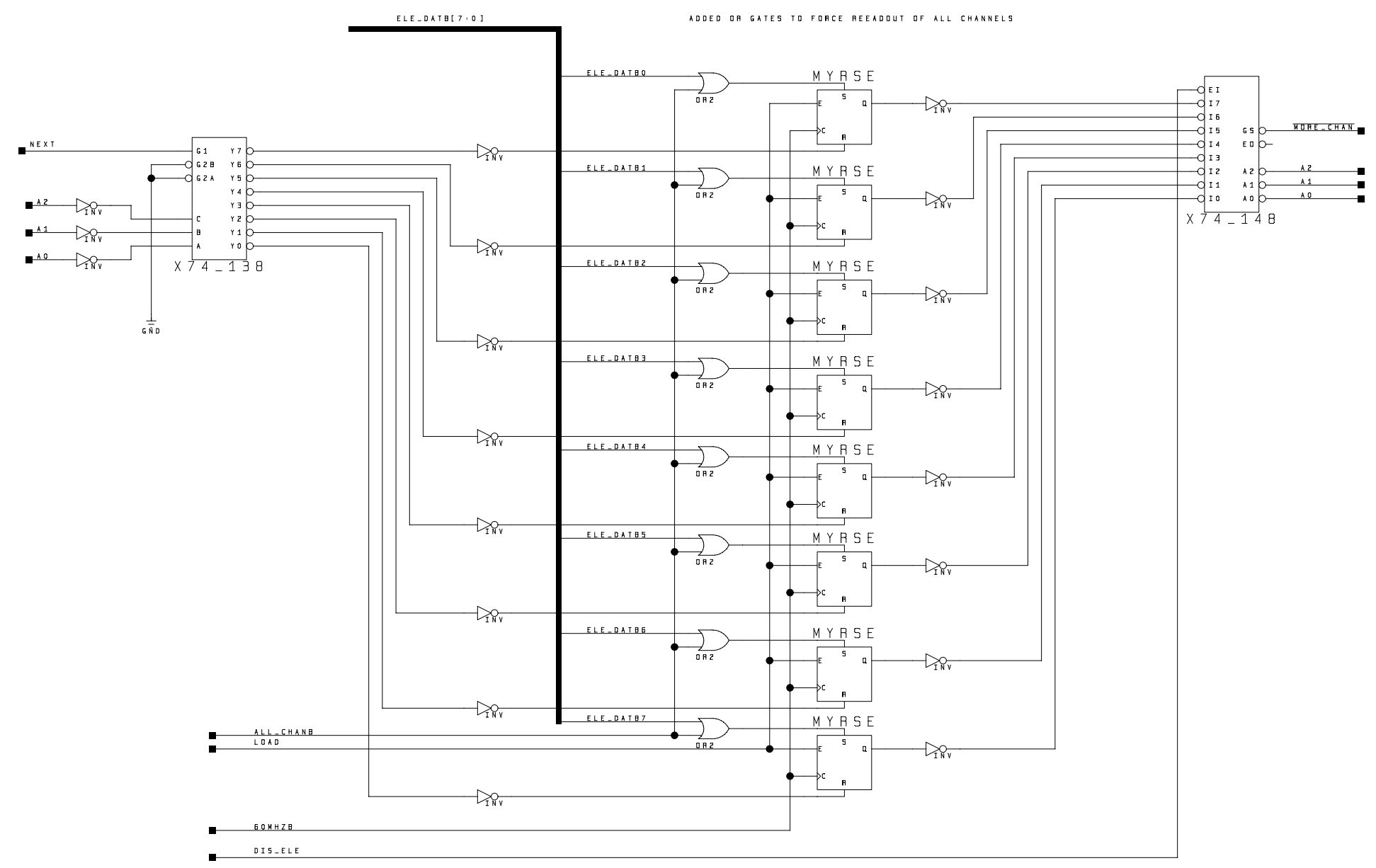
FILE=X\_SEQ

STANFORD LINEAR ACCELERATOR CENTER  
 U.S. DEPARTMENT OF ENERGY  
 STANFORD UNIVERSITY STANFORD, CALIFORNIA

PROPRIETARY DATA OF STANFORD UNIVERSITY AND/OR U.S. DEPARTMENT OF ENERGY. RECIPIENT SHALL NOT PUBLISH THE INFORMATION WITHIN UNLESS GRANTED SPECIFIC PERMISSION OF STANFORD UNIVERSITY.

ENGR	DATE	APPROVALS
DFTN		
CKR		

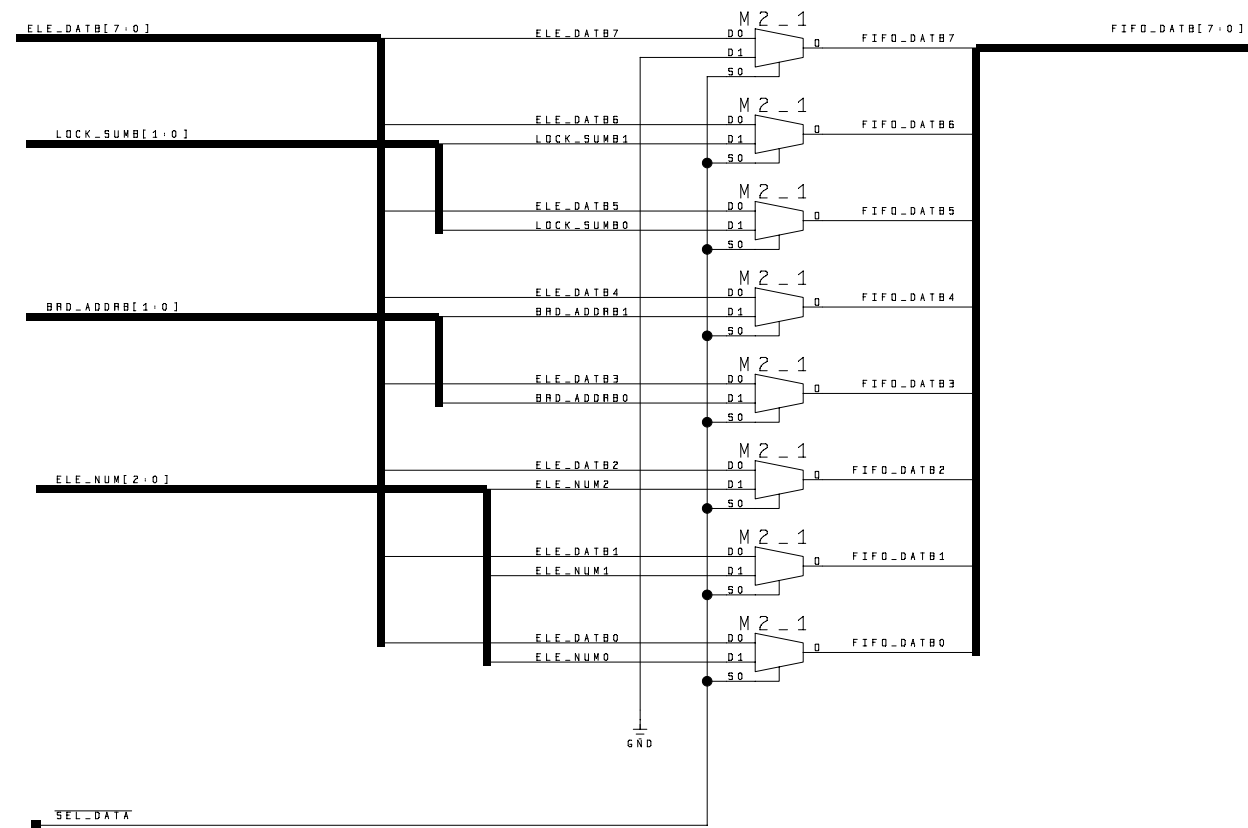
FRONT END  
 ASSEMBLY 2 (FEA2)  
 READOUT INTERFACE



FILE = HIT\_SEL

STANFORD LINEAR ACCELERATOR CENTER U.S. DEPARTMENT OF ENERGY STANFORD UNIVERSITY STANFORD, CALIFORNIA		
PROPRIETARY DATA OF STANFORD UNIVERSITY AND/OR U.S. DEPARTMENT OF ENERGY. RECIPIENT SHALL NOT PUBLISH THE INFORMATION WITHIN UNLESS GRANTED SPECIFIC PERMISSION OF STANFORD UNIVERSITY.		
ENGR	DATE	APPROVALS
DFTB		
CHKR		

SHEET 22 OF 24	
FRONT END ASSEMBLY 2 (FEA2) READOUT INTERFACE	
SD-350-706-25-C01 D	



FILE = FIFO\_DRV.R



STANFORD LINEAR ACCELERATOR CENTER U.S. DEPARTMENT OF ENERGY STANFORD UNIVERSITY STANFORD, CALIFORNIA		
PROPRIETARY DATA OF STANFORD UNIVERSITY AND/OR U.S. DEPARTMENT OF ENERGY. RECIPIENT SHALL NOT PUBLISH THE INFORMATION WITHIN UNLESS GRANTED SPECIFIC PERMISSION OF STANFORD UNIVERSITY.		
ENGR	DATE	APPROVALS
DFTN		
CHKR		

SHEET 23 OF 24	
FRONT END ASSEMBLY 2 (FEA2) READOUT INTERFACE	
SD-350-706-25-C01 D	